

中华人民共和国行业标准  
标 准 设 计

# 自 控 安 装 图 册

HG/T 21581-95

# 物位测量仪表安装图册

HK 04

化工部自动控制设计技术中心站	提 出
吉林化学工业公司设计院	编 制
中华人民共和国化学工业部	批 准

# 化学工业部文件

化建发(1996)785号

---

## 关于发布《自控安装图册》 行业标准的通知

各省、自治区、直辖市、计划单列市化工厅(局公司),各有关建设、设计、施工单位:

由化工部自动控制设计技术中心站组织修订的《自控安装图册》,经审查,现批准为推荐性行业标准,编号为HG/T 21581-95,自一九九七年四月一日起实施。原标准HGJ516-87同时废止。

该标准由化工部自动控制设计技术中心站负责管理,化工部工程建设标准编辑中心负责软盘和文本的出版、发行。

化学工业部

一九九六年十一月十五日

中华人民共和国行业标准

# 自控安装图册

HG/T21581-95

提出单位:化学工业部自动控制设计技术中心站

主编单位:化学工业部自动控制设计技术中心站

编制单位:化学工业部自动控制设计技术中心站

中国成达化学工程公司

中国石化兰州设计院

中国天辰化学工程公司

吉林化学工业公司设计院

中国寰球化学工程公司

南京化学工业集团公司设计院

化学工业部第三设计院

中国石化洛阳石化工程公司

上海化工设计院

浙江省石油化工设计院

主 编:黄衍平

副 主 编:刘健鹏 宋之熊

# 目 录

- 1 总说明
- 2 自控安装图图形符号规定
- 3 自控安装图材料库
- 4 温度测量元件安装图册(HK01)
- 5 压力表及压力变送器管路连接安装图册(HK02)
- 6 流量测量差压变送器管路连接安装图册(HK03)
- 7 物位测量仪表安装图册(HK04)
- 8 分析仪表系统管路连接安装图册(HK05)
- 9 法兰取压节流装置安装图册(HK06)
- 10 角接取压节流装置安装图册(HK07)
- 11 变送器安装图册(HK08)
- 12 仪表管、缆及桥架安装图册(HK09)
- 13 仪表及仪表管线保温安装图册(HK10)
- 14 气动仪表管路连接安装图册(HK11)
- 15 仪表电缆保护及连接图册(HK12)

# 目 次

## CONTENTS

1 对焊式连接方式	
BUTT-WELDING CONNECTION	
1.1 差压式测量常压设备液面管路连接图	HK04-101
HOOK-UP DWG. OF LEVEL MEASUREMENT FOR ATMOSPHERIC VESSEL BY D/P CELL	
1.2 差压式测量有压设备液面管路连接图(五阀组) PN6.3	HK04-102
HOOK-UP DWG. OF LEVEL MEASUREMENT FOR PRESSURIZED VESSEL BY D/P CELL (5-VALVE MANIFOLD) PN6.3	
1.3 差压式测量有压设备液面管路连接图(五阀组) PN16	HK04-103
HOOK-UP DWG. OF LEVEL MEASUREMENT FOR PRESSURIZED VESSEL BY D/P CELL (5-VALVE MANIFOLD) PN16	
1.4 差压式测量有压设备液面管路连接图(三阀组) PN2.5	HK04-104
HOOK-UP DWG. OF LEVEL MEASUREMENT FOR PRESSURIZED VESSEL BY D/P CELL (3-VALVE MANIFOLD) PN2.5	
1.5 差压式测量有压设备液面管路连接图(三阀组) PN6.3	HK04-105
HOOK-UP DWG. OF LEVEL MEASUREMENT FOR PRESSURIZED VESSEL BY D/P CELL (3-VALVE MANIFOLD) PN6.3	
1.6 差压式测量有压设备液面管路连接图(三阀组) PN16	HK04-106
HOOK-UP DWG. OF LEVEL MEASUREMENT FOR PRESSURIZED VESSEL BY D/P CELL (3-VALVE MANIFOLD) PN16	
1.7 差压式测量有压或负压设备液面管路连接图(五阀组带分离容器) PN2.5	HK04-107
HOOK-UP DWG. OF LEVEL MEASUREMENT FOR PRESSURIZED/VACUUM VESSEL BY D/P CELL (5-VALVE MANIFOLD WITH SEPARATOR) PN2.5	
1.8 差压式测量有压设备液面管路连接图(五阀组带分离容器) PN6.3	HK04-108
HOOK-UP DWG. OF LEVEL MEASUREMENT FOR PRESSURIZED VESSEL BY D/P CELL (5-VALVE MANIFOLD WITH SEPARATOR) PN6.3	
1.9 差压式测量有压设备液面管路连接图(五阀组带分离容器) PN16	HK04-109
HOOK-UP DWG. OF LEVEL MEASUREMENT FOR PRESSURIZED VESSEL BY D/P CELL (5-VALVE MANIFOLD WITH SEPARATOR) PN16	
1.10 差压式测量有压或负压设备液面管路连接图(三阀组带分离容器) PN2.5	HK04-110
HOOK-UP DWG. OF LEVEL MEASUREMENT FOR PRESSURIZED/VACUUM VESSEL BY D/P CELL (3-VALVE MANIFOLD WITH SEPARATOR) PN2.5	
1.11 差压式测量有压设备液面管路连接图(三阀组带分离容器) PN6.3	HK04-111

	HOOK-UP DWG. OF LEVEL MEASUREMENT FOR PRESSURIZED VESSEL BY D/P CELL (3-VALVE MANIFOLD WITH SEPARATOR) PN6.3	
1.12	差压式测量有压设备液面管路连接图(三阀组带分离器) PN16 HOOK-UP DWG. OF LEVEL MEASUREMENT FOR PRESSURIZED VESSEL BY D/P CELL (3-VALVE MANIFOLD WITH SEPARATOR) PN16	HK04-112
1.13	差压式测量有压设备液面管路连接图(五阀组带冷凝器) PN6.3 HOOK-UP DWG. OF LEVEL MEASUREMENT FOR PRESSURIZED VESSEL BY D/P CELL (5-VALVE MANIFOLD WITH CONDENSATE POT) PN6.3	HK04-113
1.14	差压式测量有压设备液面管路连接图(五阀组带冷凝器) PN16 HOOK-UP DWG. OF LEVEL MEASUREMENT FOR PRESSURIZED VESSEL BY D/P CELL (5-VALVE MANIFOLD WITH CONDENSATE POT) PN16	HK04-114
1.15	差压式测量有压设备液面管路连接图(三阀组带冷凝器) PN2.5 HOOK-UP DWG. OF LEVEL MEASUREMENT FOR PRESSURIZED VESSEL BY D/P CELL (3-VALVE MANIFOLD WITH CONDENSATE POT) PN2.5	HK04-115
1.16	差压式测量有压设备液面管路连接图(三阀组带冷凝器) PN6.3 HOOK-UP DWG. OF LEVEL MEASUREMENT FOR PRESSURIZED VESSEL BY D/P CELL (3-VALVE MANIFOLD WITH CONDENSATE POT) PN6.3	HK04-116
1.17	差压式测量有压设备液面管路连接图(三阀组带冷凝器) PN16 HOOK-UP DWG. OF LEVEL MEASUREMENT FOR PRESSURIZED VESSEL BY D/P CELL (3-VALVE MANIFOLD WITH CONDENSATE POT) PN16	HK04-117
1.18	差压式测量低沸点介质液面管路连接图(五阀组) PN2.5 HOOK-UP DWG. OF LEVEL MEASUREMENT FOR LOW BOIL POINT MEDIUM BY D/P CELL (5-VALVE MANIFOLD) PN2.5	HK04-118
1.19	差压式测量低沸点介质液面管路连接图(三阀组) PN2.5 HOOK-UP DWG. OF LEVEL MEASUREMENT FOR LOW BOIL POINT MEDIUM BY D/P CELL (3-VALVE MANIFOLD) PN2.5	HK04-119
1.20	差压式测量锅炉汽包水位管路连接图(五阀组) PN6.3 HOOK-UP DWG. OF LEVEL MEASUREMENT FOR BOILER DRUM BY D/P CELL (5-VALVE MANIFOLD) PN6.3	HK04-120
1.21	差压式测量锅炉汽包水位管路连接图(三阀组) PN6.3 HOOK-UP DWG. OF LEVEL MEASUREMENT FOR BOILER DRUM BY D/P CELL (3-VALVE MANIFOLD) PN6.3	HK04-121
1.22	吹气法测量常压设备液面管路连接图(限流孔板) HOOK-UP DWG. OF LEVEL MEASUREMENT FOR ATMOSPHERIC VESSEL WITH AIR PURGE (RESTRICTION ORIFICE)	HK04-122
1.23	吹气法测量常压设备液面管路连接图(吹气装置) HOOK-UP DWG. OF LEVEL MEASUREMENT FOR ATMOSPHERIC VESSEL WITH AIR PURGE (AIR BUBBLER)	HK04-123
1.24	吹气法测量有压设备液面管路连接图(限流孔板) HOOK-UP DWG. OF LEVEL MEASUREMENT FOR PRESSURIZED VESSEL WITH AIR PURGE	HK04-124

(RESTRICTION ORIFICE)

- 1.25 吹气法测量有压设备液面管路连接图(吹气装置).....HK04-125  
HOOK-UP DWG. OF LEVEL MEASUREMENT FOR PRESSURIZED VESSEL WITH AIR PURGE  
(AIR BUBBLER)
- 1.26 冲液法差压式测量有压设备液面管路连接图(五阀组)PN6.3.....HK04-126  
HOOK-UP DWG. OF LEVEL MEASUREMENT FOR PRESSURIZED VESSEL WITH LIQUID FLUSH  
BY D/P CELL (5 VALVE MANIFOLD) PN6.3
- 1.27 冲液法差压式测量有压设备液面管路连接图(三阀组)PN2.5.....HK04-127  
HOOK-UP DWG. OF LEVEL MEASUREMENT FOR PRESSURIZED VESSEL WITH LIQUID FLUSH  
BY D/P CELL (3 VALVE MANIFOLD) PN2.5
- 1.28 冲液法差压式测量有压设备液面管路连接图(三阀组)PN6.3.....HK04-128  
HOOK-UP DWG. OF LEVEL MEASUREMENT FOR PRESSURIZED VESSEL WITH LIQUID FLUSH  
BY D/P CELL (3 VALVE MANIFOLD) PN6.3
- 2 承插焊式连接方式  
SOCKET WELDING CONNECTION
- 2.1 差压式测量常压设备液面管路连接图.....HK04-201  
HOOK-UP DWG. OF LEVEL MEASUREMENT FOR ATMOSPHERIC VESSEL BY D/P CELL
- 2.2 差压式测量有压设备液面管路连接图(五阀组) PN6.3.....HK04-202  
HOOK-UP DWG. OF LEVEL MEASUREMENT FOR PRESSURIZED VESSEL BY D/P CELL  
(5-VALVE MANIFOLD) PN6.3
- 2.3 差压式测量有压设备液面管路连接图(五阀组) PN16.....HK04-203  
HOOK-UP DWG. OF LEVEL MEASUREMENT FOR PRESSURIZED VESSEL BY D/P CELL  
(5-VALVE MANIFOLD) PN16
- 2.4 差压式测量有压设备液面管路连接图(三阀组) PN6.3.....HK04-204  
HOOK-UP DWG. OF LEVEL MEASUREMENT FOR PRESSURIZED VESSEL BY D/P CELL  
(3-VALVE MANIFOLD) PN6.3
- 2.5 差压式测量有压设备液面管路连接图(三阀组) PN16.....HK04-205  
HOOK-UP DWG. OF LEVEL MEASUREMENT FOR PRESSURIZED VESSEL BY D/P CELL  
(3-VALVE MANIFOLD) PN16
- 2.6 差压式测量有压或负压设备液面管路连接图(五阀组带分离容器) PN6.3.....HK04-206  
HOOK-UP DWG. OF LEVEL MEASUREMENT FOR PRESSURIZED/VACUUM VESSEL  
BY D/P CELL (5-VALVE MANIFOLD WITH SEPARATOR) PN6.3
- 2.7 差压式测量有压设备液面管路连接图(五阀组带分离容器) PN16.....HK04-207  
HOOK-UP DWG. OF LEVEL MEASUREMENT FOR PRESSURIZED VESSEL BY D/P CELL  
(5-VALVE MANIFOLD WITH SEPARATOR) PN16
- 2.8 差压式测量有压或负压设备液面管路连接图(三阀组带分离容器) PN6.3.....HK04-208  
HOOK-UP DWG. OF LEVEL MEASUREMENT FOR PRESSURIZED /VACUUM VESSEL  
BY D/P CELL (3-VALVE MANIFOLD WITH SEPARATOR) PN6.3
- 2.9 差压式测量有压设备液面管路连接图(三阀组带分离容器) PN16.....HK04-209  
HOOK-UP DWG. OF LEVEL MEASUREMENT FOR PRESSURIZED VESSEL BY D/P CELL

- (3-VALVE MANIFOLD WITH SEPARATOR) PN16
- 2.10 差压式测量有压设备液面管路连接图(五阀组带冷凝容器) PN6.3 ..... HK04-210  
HOOK-UP DWG. OF LEVEL MEASUREMENT FOR PRESSURIZED VESSEL BY D/P CELL  
(5-VALVE MANIFOLD WITH CONDENSATE POT) PN6.3
- 2.11 差压式测量有压设备液面管路连接图(五阀组带冷凝容器) PN16 ..... HK04-211  
HOOK-UP DWG. OF LEVEL MEASUREMENT FOR PRESSURIZED VESSEL BY D/P CELL  
(5-VALVE MANIFOLD WITH CONDENSATE POT) PN16
- 2.12 差压式测量有压设备液面管路连接图(三阀组带冷凝容器) PN6.3 ..... HK04-212  
HOOK-UP DWG. OF LEVEL MEASUREMENT FOR PRESSURIZED VESSEL BY D/P CELL  
(3-VALVE MANIFOLD WITH CONDENSATE POT) PN6.3
- 2.13 差压式测量有压设备液面管路连接图(三阀组带冷凝容器) PN16 ..... HK04-213  
HOOK-UP DWG. OF LEVEL MEASUREMENT FOR PRESSURIZED VESSEL BY D/P CELL  
(3-VALVE MANIFOLD WITH CONDENSATE POT) PN16
- 2.14 差压式测量低沸点介质液面管路连接图(五阀组) PN6.3 ..... HK04-214  
HOOK-UP DWG. OF LEVEL MEASUREMENT FOR LOW BOIL POINT MEDIUM BY D/P CELL  
(5-VALVE MANIFOLD) PN6.3
- 2.15 差压式测量低沸点介质液面管路连接图(三阀组) PN6.3 ..... HK04-215  
HOOK-UP DWG. OF LEVEL MEASUREMENT FOR LOW BOIL POINT MEDIUM BY D/P CELL  
(3-VALVE MANIFOLD) PN6.3
- 2.16 差压式测量锅炉汽包水位管路连接图(五阀组) PN6.3 ..... HK04-216  
HOOK-UP DWG. OF LEVEL MEASUREMENT FOR BOILER DRUM BY D/P CELL  
(5-VALVE MANIFOLD) PN6.3
- 2.17 差压式测量锅炉汽包水位管路连接图(三阀组) PN6.3 ..... HK04-217  
HOOK-UP DWG. OF LEVEL MEASUREMENT FOR BOILER DRUM BY D/P CELL  
(3-VALVE MANIFOLD) PN6.3
- 2.18 冲液法差压式测量有压设备液面管路连接图(五阀组) PN6.3 ..... HK04-218  
HOOK-UP DWG. OF LEVEL MEASUREMENT FOR PRESSURIZED VESSEL WITH LIQUID FLUSH  
BY D/P CELL (5-VALVE MANIFOLD) PN6.3
- 2.19 冲液法差压式测量有压设备液面管路连接图(三阀组) PN6.3 ..... HK04-219  
HOOK-UP DWG. OF LEVEL MEASUREMENT FOR PRESSURIZED VESSEL WITH LIQUID FLUSH  
BY D/P CELL (3-VALVE MANIFOLD) PN6.3
- 3 卡套式连接方式  
FERRULE TYPE CONNECTION
- 3.1 差压式测量常压设备液面管路连接图 ..... HK04-301  
HOOK-UP DWG. OF LEVEL MEASUREMENT FOR ATMOSPHERIC VESSEL BY D/P CELL
- 3.2 差压式测量有压设备液面管路连接图(五阀组) PN6.3 ..... HK04-302  
HOOK-UP DWG. OF LEVEL MEASUREMENT FOR PRESSURIZED VESSEL BY D/P CELL  
(5-VALVE MANIFOLD) PN6.3
- 3.3 差压式测量有压设备液面管路连接图(三阀组) PN6.3 ..... HK04-303  
HOOK-UP DWG. OF LEVEL MEASUREMENT FOR PRESSURIZED VESSEL BY D/P CELL



- (3-VALVE MANIFOLD) PN6.3
- 3.4 差压式测量有压或负压设备液面管路连接图(五阀组带分离容器) PN6.3 ..... HK04-304  
HOOK-UP DWG. OF LEVEL MEASUREMENT FOR PRESSURIZED/VACUUM VESSEL  
BY D/P CELL (5-VALVE MANIFOLD WITH SEPARATOR) PN6.3
  - 3.5 差压式测量有压或负压设备液面管路连接图(三阀组带分离容器) PN6.3 ..... HK04-305  
HOOK-UP DWG. OF LEVEL MEASUREMENT FOR PRESSURIZED/VACUUM VESSEL  
BY D/P CELL (3-VALVE MANIFOLD WITH SEPARATOR) PN6.3
  - 3.6 差压式测量有压设备液面管路连接图(五阀组带冷凝器) PN6.3 ..... HK04-306  
HOOK-UP DWG. OF LEVEL MEASUREMENT FOR PRESSURIZED VESSEL BY D/P CELL  
(5-VALVE MANIFOLD WITH CONDENSATE POT) PN6.3
  - 3.7 差压式测量有压设备液面管路连接图(三阀组带冷凝器) PN6.3 ..... HK04-307  
HOOK-UP DWG. OF LEVEL MEASUREMENT FOR PRESSURIZED VESSEL BY D/P CELL  
(3-VALVE MANIFOLD WITH CONDENSATE POT ) PN6.3
  - 3.8 差压式测量低沸点介质液面管路连接图(五阀组) PN6.3 ..... HK04-308  
HOOK-UP DWG. OF LEVEL MEASUREMENT FOR LOW BOIL POINT MEDIUM BY D/P CELL  
(5-VALVE MANIFOLD) PN6.3
  - 3.9 差压式测量低沸点介质液面管路连接图(三阀组) PN6.3 ..... HK04-309  
HOOK-UP DWG. OF LEVEL MEASUREMENT FOR LOW BOIL POINT MEDIUM BY D/P CELL  
(3-VALVE MANIFOLD) PN6.3
  - 3.10 吹气法测量常压设备液面管路连接图(限流孔板) ..... HK04-310  
HOOK-UP DWG. OF LEVEL MEASUREMENT FOR ATMOSPHERIC VESSEL WITH AIR PURGE  
(RESTRICTION ORIFICE)
  - 3.11 吹气法测量常压设备液面管路连接图(吹气装置) ..... HK04-311  
HOOK-UP DWG. OF LEVEL MEASUREMENT FOR ATMOSPHERIC VESSEL WITH AIR PURGE  
(AIR BUBBLER)
  - 3.12 吹气法测量有压设备液面管路连接图(限流孔板) ..... HK04-312  
HOOK-UP DWG. OF LEVEL MEASUREMENT FOR PRESSURIZED VESSEL WITH AIR PURGE  
(RESTRICTION ORIFICE)
  - 3.13 吹气法测量有压设备液面管路连接图(吹气装置) ..... HK04-313  
HOOK-UP DWG. OF LEVEL MEASUREMENT FOR PRESSURIZED VESSEL WITH AIR PURGE  
(AIR BUBBLER)
  - 3.14 冲液法差压式测量有压设备液面管路连接图(五阀组)PN6.3 ..... HK04-314  
HOOK-UP DWG. OF LEVEL MEASUREMENT FOR PRESSURIZED VESSEL WITH LIQUID FLUSH  
BY D/P CELL (5 VALVE MANIFOLD) PN6.3
  - 3.15 冲液法差压式测量有压设备液面管路连接图(三阀组)PN6.3 ..... HK04-315  
HOOK-UP DWG. OF LEVEL MEASUREMENT FOR PRESSURIZED VESSEL WITH LIQUID FLUSH  
BY D/P CELL (3 VALVE MANIFOLD) PN6.3

#### 4 哑图

TYPICAL DRAWING

4.1	浮球液位控制器在设备上安装图(内装)	HK04-401
	INSTL. DWG. OF BALL FLOAT LEVEL CONTROLLER ON VESSEL (INSIDE)	
4.2	浮球/浮筒液位控制器在设备上安装图(外装、带排放)	HK04-402
	INSTL. DWG. OF BALL FLOAT/DISPLACEMENT LEVEL CONTROLLER ON VESSEL (OUTSIDE, WITH DRAIN)	
4.3	浮球/浮筒液位控制器在设备上安装图(外装、无排放)	HK04-403
	INSTL. DWG. OF BALL FLOAT/DISPLACEMENT LEVEL CONTROLLER ON VESSEL (OUTSIDE, WITHOUT DRAIN)	
4.4	UQQ气动、UQD电动浮球液位计在设备上安装图	HK04-404
	INSTL. DWG. OF UQQ(PNEUMATIC) UQD(ELECTRIC) BALL FLOAT LEVEL METER ON VESSEL	
4.5	浮子报警液位计在设备上安装图	HK04-405
	INSTL. DWG. OF FLOAT LEVEL GAUGE WITH SWITCH ON VESSEL	
4.6	外浮筒液位计在设备上安装图(侧—侧式)	HK04-406
	INSTL. DWG. OF DISPLACEMENT LEVELMETER ON VESSEL (SIDE-SIDE)	
4.7	外浮筒液位计在设备上安装图(底—侧式)	HK04-407
	INSTL. DWG. OF DISPLACEMENT LEVELMETER ON VESSEL (BOTTOM-SIDE)	
4.8	外浮筒液位计在设备上安装图(顶—底式)	HK04-408
	INSTL. DWG. OF DISPLACEMENT LEVELMETER ON VESSEL (TOP-BOTTOM)	
4.9	外浮筒液位计在设备上安装图(顶—侧式)	HK04-409
	INSTL. DWG. OF DISPLACEMENT LEVELMETER ON VESSEL (TOP-SIDE)	
4.10	内浮筒液位计在设备上安装图(顶装式)	HK04-410
	INSTL. DWG. OF DISPLACEMENT LEVELMETER ON VESSEL (TOP MOUNTED)	
4.11	钢带液位计在球罐上安装图	HK04-411
	INSTL. DWG. OF FLOAT-TAPE LEVEL GAUGE ON SPHERICAL TANK	
4.12	钢带液位计在浮顶罐上安装图	HK04-412
	INSTL. DWG. OF FLOAT-TAPE LEVEL GAUGE ON FLOATING ROOF TANK	
4.13	差压式测量气柜高度安装图	HK04-413
	INSTL. DWG. OF HEIGHT FOR GAS HOLDER BY D/P CELL	
4.14	差压液面变送器在常压设备上安装图(带切断阀)	HK04-414
	INSTL. DWG. OF D/P LEVEL TRANSMITTER ON ATMOSPHERIC VESSEL (WITH BLOCK VALVE)	
4.15	差压液面变送器在有压或负压设备上安装图(带冷凝容器)	HK04-415
	INSTL. DWG. OF D/P LEVEL TRANSMITTER ON PRESSURIZED/VACUUM VESSEL (WITH CONDENSATE POT)	
4.16	差压液面变送器在有压或负压设备上安装图	HK04-416
	INSTL. DWG. OF D/P LEVEL TRANSMITTER ON PRESSURIZED/VACUUM VESSEL	
4.17	差压液面变送器在常压设备上安装图(不带切断阀)	HK04-417
	INSTL. DWG. OF D/P LEVEL TRANSMITTER ON ATMOSPHERIC VESSEL (WITHOUT BLOCK VALVE)	
4.18	差压液面变送器在有压或负压设备上安装图(带冷凝容器)	HK04-418

	INSTL. DWG. OF D/P LEVEL TRANSMITTER ON PRESSURIZED/VACUUM VESSEL ( WITH CONDENSATE POT)	
4.19	差压液面变送器在有压或负压设备上安装图..... INSTL. DWG. OF D/P LEVEL TRANSMITTER ON PRESSURIZED/VACUUM VESSEL	HK04-419
4.20	远传膜片密封差压变送器在设备上安装图(带切断阀、法兰式)..... INSTL. DWG. OF REMOTE DIAPHRAGM SEAL D/P TRANSMITTER ON VESSEL ( WITH BLOCK VALVE、FLANGE)	HK04-420
4.21	远传膜片密封差压变送器在设备上安装图(带切断阀、扁平式)..... INSTL. DWG. OF REMOTE DIAPHRAGM SEAL D/P TRANSMITTER ON VESSEL ( WITH BLOCK VALVE、FLAT)	HK04-421
4.22	远传膜片密封差压变送器在设备上安装图(带切断阀、螺纹式)..... INSTL. DWG. OF REMOTE DIAPHRAGM SEAL D/P TRANSMITTER ON VESSEL ( WITH BLOCK VALVE、THD)	HK04-422
4.23	远传膜片密封差压变送器在设备上安装图(不带切断阀、法兰式)..... INSTL. DWG. OF REMOTE DIAPHRAGM SEAL D/P TRANSMITTER ON VESSEL ( WITHOUT BLOCK VALVE、FLANGE)	HK04-423
4.24	远传膜片密封差压变送器在设备上安装图(不带切断阀、扁平式)..... INSTL. DWG. OF REMOTE DIAPHRAGM SEAL D/P TRANSMITTER ON VESSEL ( WITHOUT BLOCK VALVE、FLAT)	HK04-424
4.25	料位 / 液位变送器 / 控制器在设备上安装图(法兰式)..... INSTL. DWG. OF SOLID LEVEL/LIQUID LEVEL TRANSMITTER/CONTROLLER ON VESSEL (FLANGE)	HK04-425
4.26	料位 / 液位变送器 / 控制器在设备上安装图(螺纹式)..... INSTL. DWG. OF SOLID LEVEL/LIQUID LEVEL TRANSMITTER/CONTROLLER ON VESSEL (THD)	HK04-426

# 说 明

## 1 适用范围:

本分册适用于化工、石化生产过程中物位测量仪表的安装及其管路连接系统。

内容包括如下:

- 差压式液面测量仪表
- 吹气法液面测量仪表
- 冲液法液面测量仪表
- 浮球液面计
- 浮筒液位控制器
- 浮子液面计
- 钢带液面计等

## 2 分工范围:

2.1 仪表专业和管道专业的分工,是以未安装仪表时管道是密封系统来考虑的,即以根部阀为界,根部阀以后部分由仪表专业设计。

2.2 本分册中,直接与工艺过程相连接的取压根部阀均按接管为 $\Phi 22$ 的1/2"承插焊闸阀设计,由管道专业配置。对焊式连接和卡套连接采用异径活接头,规格为 $\Phi 22/\Phi 14$ 、 $\Phi 22/F.T\Phi 14$ ;承插焊连接采用异径短节,规格为 $\Phi 22/S.W\Phi 18$ 。

2.3 本分册中由管道专业设计的根部阀用细实线表示,但所用的材料未统计在材料表中。

## 3 编制原则:

### 3.1 本分册共分四部分:

第一部分:对焊式连接方式,图号为HK04-1 $\times$  $\times$

第二部分:承插焊式连接方式,图号为HK04-2 $\times$  $\times$

第三部分:卡套式连接方式,图号为HK04-3 $\times$  $\times$

第四部分:啞图,图号为HK04-4 $\times$  $\times$

对于第一、第二、第三部分安装方式分别以五阀组或三阀组编制,对于设备上直接安装的液面计等,本图册只作啞图,采用时可根据工程设计具体情况确定管阀件的规格及材质。

3.2 本分册优先推荐采用五阀组的连接方式,其次为三阀组,不推荐采用分散的单个阀门连接方式。

3.3 对于不同材质的同一连接方式采用同一张图时,设计选用时应予以确认。

3.4 引远安装的导压管管路应尽可能的短。

4 本分册压力单位除特殊说明外,均为MPa。

5 在工程设计中,如本分册中的阀组由变送器配套时,则不再作为材料统计,避免重复订货。

6 承插焊连接管件的弯通接头数量,应根据配管情况而定。

7 本分册未考虑有保温箱(保护箱)时的安装材料,保温箱(保护箱)的配件见变送器安装图(HK08)。

8 未规定的其它要求,应按《工业自动化仪表工程施工及验收规范》(GBJ93-86)的有关规定执行。

9 焊接的技术要求按相应焊接规程执行。

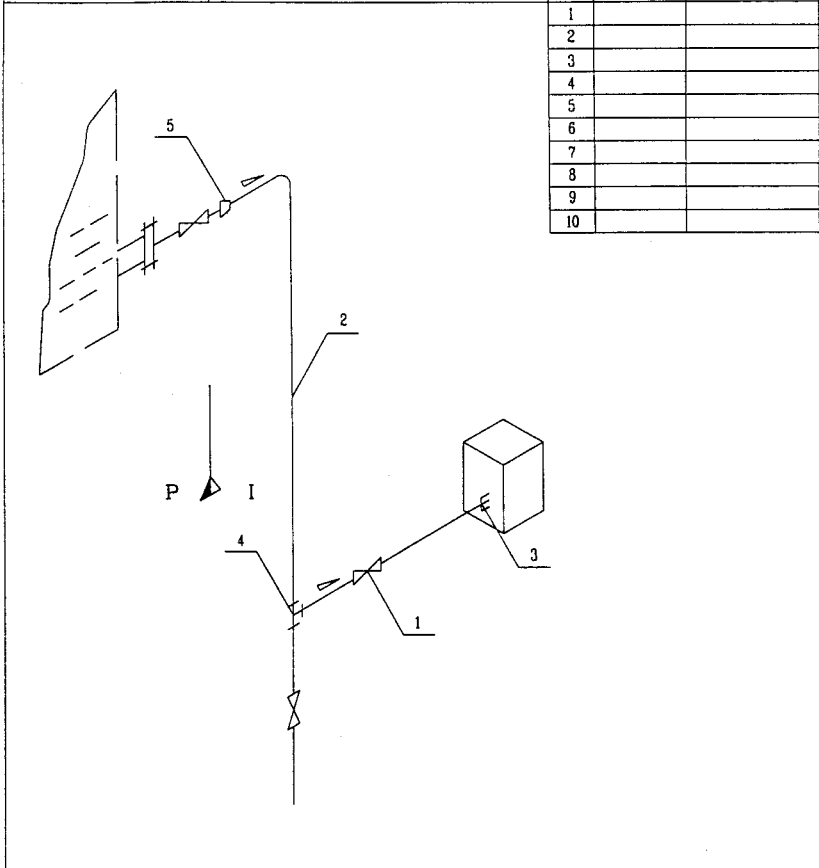
本 图 册 编 制： 梁晓俊

校 核： 姚宝林

审 核： 吴茂谊 孙公展 刘健鹏

CAD绘图： 孙 旭

压力等级: RATING:	管件连接型式: 对焊式连接 CONN. TYPE: B.W	序号 NO.	位号 TAG NO.	管道或设备号 PIPE/VESSEL NO.
------------------	----------------------------------	-----------	---------------	---------------------------



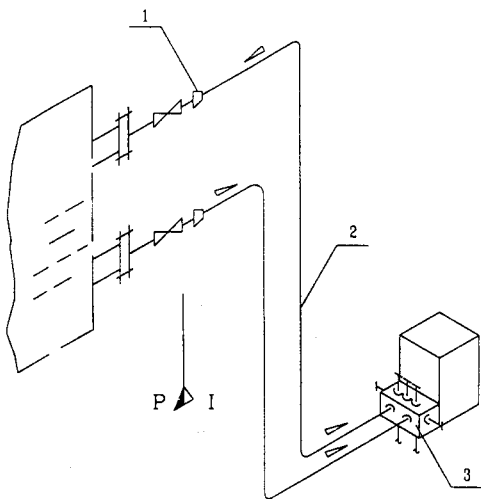
5	FF011 FF012		对焊式异径活接头 B.W REDUCING UNION	PN6.3 $\phi 22 / \phi 14$	C.S 0Cr18Ni10Ti	1	
4	FB187 FB182		对焊式三通中间接头 B.W TEE	PN6.3 $\phi 14$	C.S 0Cr18Ni10Ti	1	
3	FB010 FB055		对焊式直通终端接头 B.W END CONNECTOR	PN6.3 $\phi 14 / 1/2" NPT$	C.S 0Cr18Ni10Ti	1	
2	PL005 PL205	GB8163-87 GB2270-80	无缝钢管 TUBE(SMLS)	$\phi 14 \times 2$	20 0Cr18Ni10Ti		
1	VB202 VB207	Q21F-25	外螺纹球阀(带外套螺母) MALE THREADED BALL VALVE (WITH BELL NUT)	PN2.5 DN10 $\phi 14$	C.S 0Cr18Ni10Ti	2	
	VC202 VC205	J21W-25 C P	外螺纹截止阀(带外套螺母) MALE THREADED GLOBE VALVE (WITH BELL NUT)	PN2.5 DN10 $\phi 14$	C.S 0Cr18Ni10Ti	2	
件号 NO.	代号 CODE	图号与标准号 DWG&STD NO.	名称及规格 NAME & SIZE		材料 MATERIAL	数量 QTY	备注 REMARKS

安装材料表

INSTALLATION MATERIAL LIST

中华人民共和国行业标准 标准设计	差压式测量有压设备液面管路连接图 (五阀组) PN6.3 HOOK-UP DWG. OF LEVEL MEASUREMENT FOR PRESSURIZED VESSEL BY D/P CELL(5-VALVE MANIFOLD)		HG/T21581-95 HK04-102		
			第 1 张 共 1 张 1 OF 1 SHEET	总 91 张 第 2 张 2 OF 91 TOTAL	
压力等级: RATING: 6.3MPa	管件连接型式: CONN. TYPE:	对焊式连接 B.W	序号 NO.	位号 TAG NO.	管道或设备号 PIPE/VESSEL NO.

1		
2		
3		
4		
5		
6		
7		
8		
9		
10		



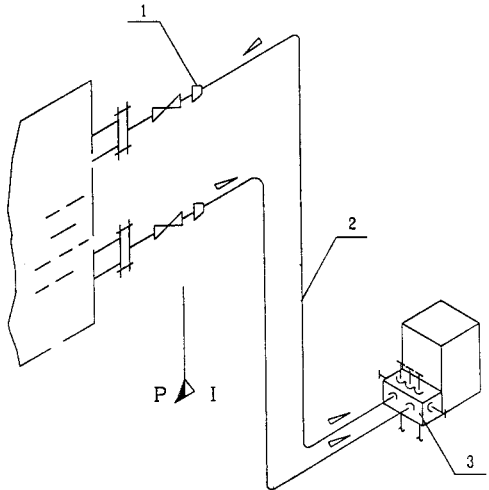
3	VM501 VM502		五阀组 5-VALVE MANIFOLD PN16 DN5	C.S 0Cr18Ni10Ti	1	附对焊式接头 $\phi$ 14 WITH B.W UNION
2	PL005 PL205	GB8163-87 GB2270-80	无缝钢管 TUBE(SMLS) $\phi$ 14X2	20 0Cr18Ni10Ti		
1	FF011 FF012		对焊式异径活接头 B.W REDUCING UNION PN6.3 $\phi$ 22/ $\phi$ 14	C.S 0Cr18Ni10Ti	2	
件号 NO.	代 码 CODE	图号与标准号 DWG&STD NO.	名 称 及 规 格 NAME & SIZE	材 料 MATERIAL	数 量 QTY	备 注 REMARKS

安 装 材 料 表

INSTALLATION MATERIAL LIST

中华人民共和国行业标准 标准设计	差压式测量有压设备液面管路连接图 (五阀组) PN16 HOOK-UP DWG. OF LEVEL MEASUREMENT FOR PRESSURIZED VESSEL BY D/P CELL (5-VALVE MANIFOLD)		HG/T21581-95 HK04-103		
			第 1 张 共 1 张 1 OF 1 SHEET	总 91 张 第 3 张 3 OF 91 TOTAL	
压力等级: RATING: 16MPa	管件连接型式 CONN. TYPE:	对焊式连接 B.W	序号 NO.	位号 TAG NO.	管道或设备号 PIPE/VESSEL NO.

1		
2		
3		
4		
5		
6		
7		
8		
9		
10		



3	VM501 VM502		五阀组 5-VALVE MANIFOLD	PN16 DN5	C.S 0Cr18Ni10Ti	1	附对焊式接头 $\phi 14$ WITH B.W UNION
2	PL105 PL222	GB8163-87 GB2270-80	无缝钢管 TUBE (SMLS)	$\phi 14 \times 3$	20 0Cr18Ni10Ti		
1	FF015 FF016		对焊式异径活接头 B.W REDUCING UNION	PN16 $\phi 22 / \phi 14$	C.S 0Cr18Ni10Ti	2	
件号 NO.	代号 CODE	图号与标准号 DWG&STD NO.	名称及规格 NAME & SIZE		材料 MATERIAL	数量 Q'TY	备注 REMARKS

安装材料表

INSTALLATION MATERIAL LIST



中华人民共和国行业标准  
标准设计

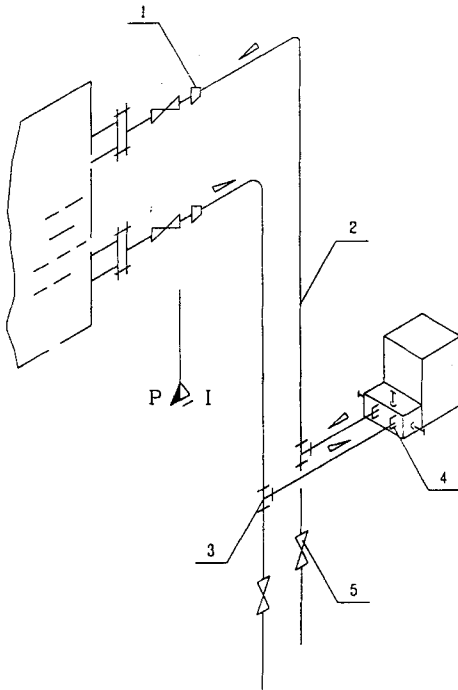
差压式测量有压设备液面管路连接图(三阀组) PN2.5  
HOOK-UP DWG. OF LEVEL MEASUREMENT FOR  
PRESSURIZED VESSEL BY D/P CELL.(3-VALVE MANIFOLD)

HG/T21581-95 HK04-104

第 1 张 共 1 张 总 91 张 第 4 张  
1 OF 1 SHEET 4 OF 91 TOTAL

压力等级: RATING: 2.5MPa	管件连接型式: CONN. TYPE	对焊式连接 B.W	序号 NO.	位号 TAG NO.	管道或设备号 PIPE/VESSEL NO.
-------------------------	-----------------------	--------------	-----------	---------------	---------------------------

1		
2		
3		
4		
5		
6		
7		
8		
9		
10		



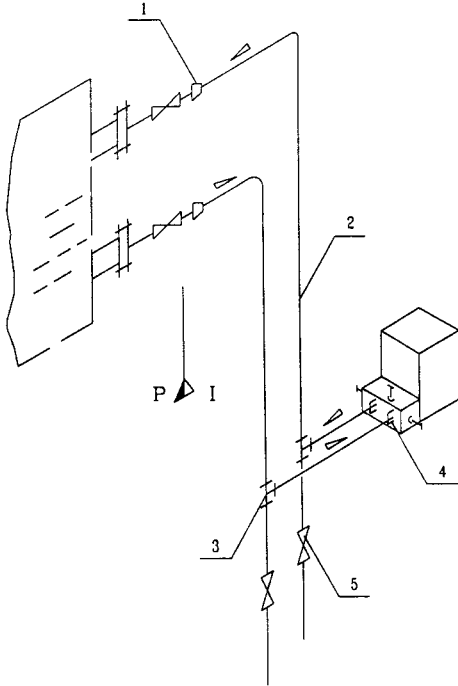
5	VB202 VB207	Q21F-25	外螺纹球阀(带外套螺母) PN2.5 DN10 $\phi$ 14 MALE THREADED BALL VALVE (WITH BELL NUT)	C.S 0Cr18Ni10Ti	2	
	VC202 VC205	J21W-25 C P	外螺纹截止阀(带外套螺母) PN2.5 DN10 $\phi$ 14 MALE THREADED CLOSE VALVE (WITH BELL NUT)	C.S 0Cr18Ni10Ti	2	
4	VM301 VM302		三阀组 3-VALVE MANIFOLD PN16 DN5	C.S 0Cr18Ni10Ti	1	附对焊式接头 $\phi$ 14 WITH B.W UNION
3	FBI67 FBI82		对焊式三通中间接头 B.W TEE PN6.3 $\phi$ 14	C.S 0Cr18Ni10Ti	2	
2	PL005 PL205	GB8163-87 GB2270-80	无缝钢管 TUBE (SMLS) $\phi$ 14X2	20 0Cr18Ni10Ti		
1	FF011 FF012		对焊式异径接头 B.W REDUCING UNION PN6.3 $\phi$ 22/ $\phi$ 14	C.S 0Cr18Ni10Ti	2	
件号 NO.	代号 CODE	图号与标准号 DWG&STD NO.	名称及规格 NAME & SIZE	材料 MATERIAL	数量 Q'TY	备注 REMARKS

安装材料表

INSTALLATION MATERIAL LIST

中华人民共和国行业标准 标准设计	危压式测量有压设备液面管路连接图(三阀组) PN6.3 HOOK-UP DWG. OF LEVEL MEASUREMENT FOR PRESSURIZED VESSEL BY D/P CELL(3-VALVE MANIFOLD)		HG/T21581-95 HK04-105			
			第 1 张 共 1 张 总 91 张 第 5 张 1 OF 1 SHEET 5 OF 91 TOTAL			
压力等级: RATING:	6.3MPa	管件连接型式: CONN. TYPE:	对焊式连接 B.W	序号 NO.	位号 TAG NO.	管道或设备号 PIPE/VESSEL NO.

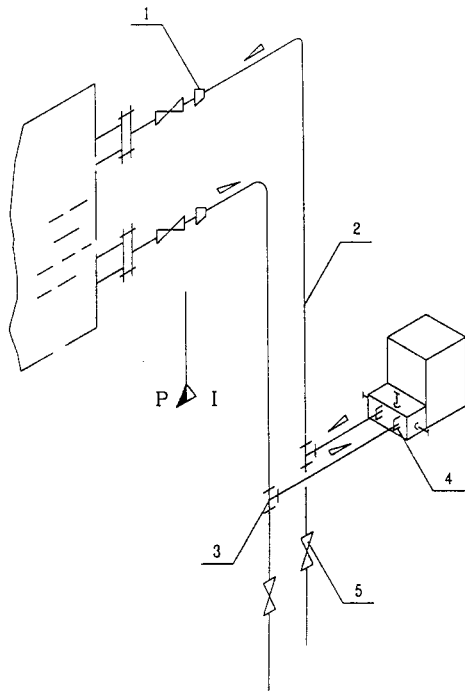
1		
2		
3		
4		
5		
6		
7		
8		
9		
10		



5	VB212 VB217	Q21F-64	外螺纹球阀(带外套螺母) PN6.3 DN10 $\phi$ 14 MALE THREADED BALL VALVE (WITH BELL NUT)	C.S 0Cr18Ni10Ti	2	
	VC210 VC211	J21W-64 C P	外螺纹截止阀(带外套螺母) PN6.3 DN10 $\phi$ 14 MALE THREADED GLOBE VALVE (WITH BELL NUT)	C.S 0Cr18Ni10Ti	2	
4	VM301 VM302		三阀组 3-VALVE MANIFOLD PN16 DN5	C.S 0Cr18Ni10Ti	1	附对焊式接头 $\phi$ 14 WITH B.W UNION
3	FB167 FB182		对焊三通中间接头 B.W TEE PN6.3 $\phi$ 14	C.S 0Cr18Ni10Ti	2	
2	PL005 PL205	GB8163-87 GB2270-80	无缝钢管 TUBE(SMLS) $\phi$ 14X2	20 0Cr18Ni10Ti		
1	FF011 FF012		对焊异径活接头 B.W REDUCING UNION PN6.3 $\phi$ 22/ $\phi$ 14	C.S 0Cr18Ni10Ti	2	
序号 NO.	代号 CODE	图号与标准号 DWG&STD NO.	名称及规格 NAME & SIZE	材料 MATERIAL	数量 QTY	备注 REMARKS
安装材料表			INSTALLATION MATERIAL LIST			

中华人民共和国行业标准 标准设计	差压式测量有压设备液面管路连接图 (三阀组) PN16 HOOK-UP DWG. OF LEVEL MEASUREMENT FOR PRESSURIZED VESSEL BY D/P CELL (3-VALVE MANIFOLD)		HG/T21581-95 HK04-106		
			第 1 张 共 1 张 1 OF 1 SHEET	总 91 张 第 6 张 6 OF 91 TOTAL	
压力等级: RATING: 16MPa	管件连接型式: CONN. TYPE	对焊式连接 B.W	序号 NO.	位号 TAG NO.	管道或设备号 PIPE/VESSEL NO.

1		
2		
3		
4		
5		
6		
7		
8		
9		
10		

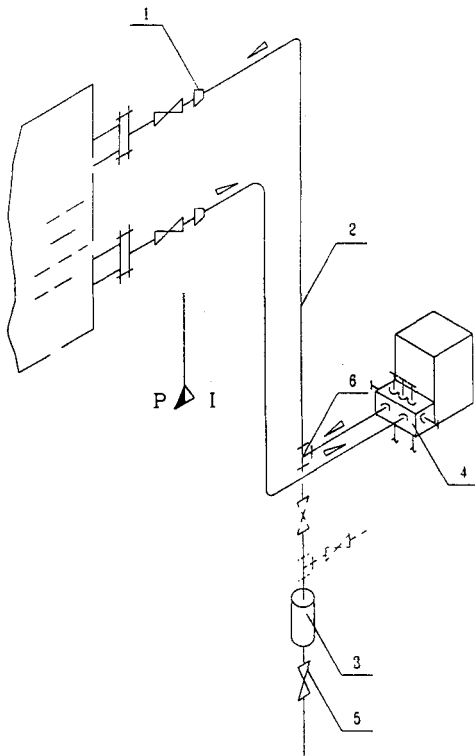


5	VB221		外螺纹球阀(带外垫螺母) PN16 DN5 $\phi 14$	C.S	2	
	VB226		MALE THREADED BALL VALVE (WITH BELL NUT)	0Cr18Ni10Ti		
	VC221	J21W-160 C	外螺纹截止阀(带外垫螺母) PN16 DN5 $\phi 14$	C.S	2	
	VC223		MALE THREADED GLOBE VALVE (WITH BELL NUT)	0Cr18Ni10Ti		
4	VM301		三阀组 PN16 DN5	C.S	1	附对焊式接头 $\phi 14$ WITH B.W UNION
	VM302		3-VALVE MANIFOLD	0Cr18Ni10Ti		
3	FBI171		对焊式三通中间接头	C.S	2	
	FBI186		B.W TEE PN16 $\phi 14$	0Cr18Ni10Ti		
2	PL105	GB8163-87	无缝钢管	20		
	PL222	GB2270-80	TUBE (SMLS) $\phi 14 \times 3$	0Cr18Ni10Ti		
1	FF015		对焊式异径活接头	C.S	2	
	FF016		B.W REDUCING UNION PN16 $\phi 22 / \phi 14$	0Cr18Ni10Ti		
件号 NO.	代号 CODE	图号与标准号 DWG&STD NO.	名称及规格 NAME & SIZE	材料 MATERIAL	数量 QTY	备注 REMARKS

安装材料表

INSTALLATION MATERIAL LIST

中华人民共和国行业标准 标准设计	差压式测量有压或负压设备液面管路连接图(五阀组带分离器)PN2.5 HOOK-UP DWG. OF LEVEL MEASUREMENT FOR PRESSURIZED /VACUUM VESSEL BY D/P CELL (5-VALVE MANIFOLD WITH SEPARATOR)	HG/T21581-95 HK04-107		
压力等级: RATING: 2.5MPa	管件连接型式: CONN. TYPE: 对焊式连接 B.W	第 1 张 共 1 张 总 91 张 第 7 张 1 OF 1 SHEET 7 OF 91 TOTAL		
		序号 NO.	位号 TAG NO.	管道或设备号 PIPE/VESSEL NO.



备注

1. 该方案适用于气相凝液不多而又能及时排除的情况。
2. 当测量负压时,需增加以虚线表示的阀门,三通中间接头,材料表中未计入。

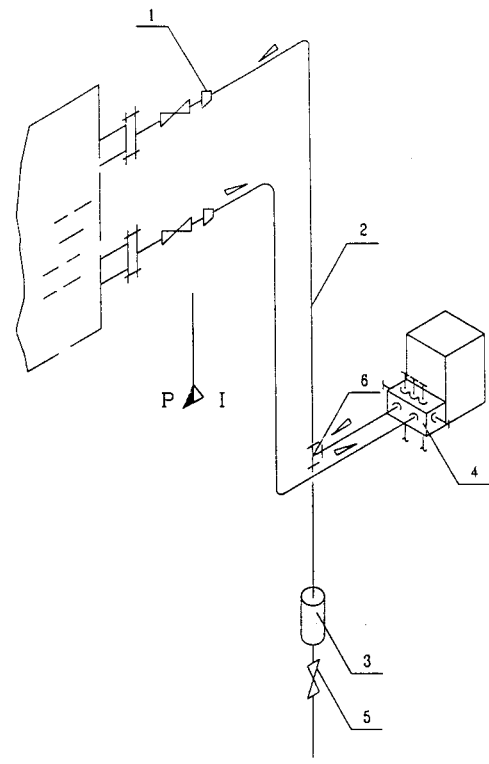
NOTE:

1. THIS CASE IS SUITABLE TO LESS CONDENSATE LIQUID IN GAS SIDE, AND DRAIN SO ON.
2. MEASURING VACUUM, THE VALVE AND TEE INDICATED BY DOTTED LINE IS REQUIRED, AND NOT BE SHOWN IN MATERIAL LIST.

6	FB167 FB182		对焊式三通中间接头 B.W TEE	PN6.3 #14	C.S 0Cr18Ni10Ti	1	
5	VB202 VB207	Q21F-25	外螺纹球阀(带外垫螺母) MALE THREADED BALL VALVE (WITH BELL NUT)	PN2.5 DN10 #14	C.S 0Cr18Ni10Ti	1	
	VC202 VC205	J21W-25 C P	外螺纹截止阀(带外垫螺母) MALE THREADED GLOBE VALVE (WITH BELL NUT)	PN2.5 DN10 #14	C.S 0Cr18Ni10Ti	1	
4	VM501 VM502		五阀组 5-VALVE MANIFOLD	PN16 DN5	C.S 0Cr18Ni10Ti	1	附对焊式接头 #14 WITH B.W UNION
3	CP011 CP012		分离器 SEPARATOR	PN6.3 DN100 3X#14	20 0Cr18Ni10Ti	1	
2	PL005 PL205	GB8163-87 GB2270-80	无缝钢管 TUBE(SMLS)	#14X2	20 0Cr18Ni10Ti		
1	FF011 FF012		对焊式异径活接头 B.W REDUCING UNION	PN6.3 #22/#14	C.S 0Cr18Ni10Ti	2	
序号 NO.	代码 CODE	图号与标准号 DWG&STD NO.	名称及规格 NAME & SIZE		材料 MATERIAL	数量 Q'TY	备注 REMARKS
安装材料表			INSTALLATION MATERIAL LIST				

压力等级: RATING: 6.3MPa	管件连接型式: CONN. TYPE: 对焊式连接 B.W		序号 NO.	位号 TAG NO.	管道或设备号 PIPE/VESSEL NO.
-------------------------	-------------------------------------	--	-----------	---------------	---------------------------

1		
2		
3		
4		
5		
6		
7		
8		
9		
10		



**备注**

1. 该方案适用于气相凝液不多而又能及时排除的情况。

**NOTE:**

1. THIS CASE IS SUITABLE TO LESS CONDENSATE LIQUID IN GAS SIDE, AND DRAIN SO ON.

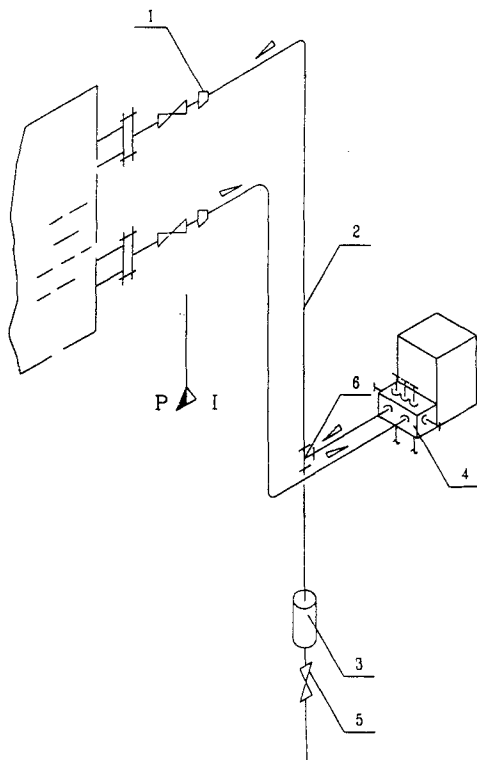
6	FBI67 FBI82		对焊式三通中间接头 B.W TEE PN6.3 $\phi 14$	C.S 0Cr18Ni10Ti	1	
5	VB212 VB217	Q21F-64	外螺纹球阀(带外套螺母) PN6.3 DN10 $\phi 14$ MALE THREADED BALL VALVE (WITH BELL NUT)	C.S 0Cr18Ni10Ti	1	
	VC210 VC211	J21W-64 C P	外螺纹截止阀(带外套螺母) PN6.3 DN10 $\phi 14$ MALE THREADED GLOBE VALVE (WITH BELL NUT)	C.S 0Cr18Ni10Ti	1	
4	VM501 VM502		五阀组 5-VALVE MANIFOLD PN16 DN5	C.S 0Cr18Ni10Ti	1	附对焊式接头 $\phi 14$ WITH B.W UNION
3	CP011 CP012		分离器 SEPARATOR PN6.3 DN100 3x $\phi 14$	20 0Cr18Ni10Ti	1	
2	PL005 PL205	GB8163-87 GB2270-80	无缝钢管 TUBE(SMLS) $\phi 14 \times 2$	20 0Cr18Ni10Ti		
1	FF011 FF012		对焊式异径活接头 B.W REDUCING UNION PN6.3 $\phi 22 / \phi 14$	C.S 0Cr18Ni10Ti	2	
件号 NO.	代号 CODE	图号与标准号 DWG&STD NO.	名称及规格 NAME & SIZE	材料 MATERIAL	数量 Q'TY	备注 REMARKS

安装材料表

INSTALLATION MATERIAL LIST

中华人民共和国行业标准 标准设计	超压式测量有压设备液面管路连接图(五阀组带分离容器)PN16 HOOK-UP DWG. OF LEVEL MEASUREMENT FOR PRESSURIZED VESSEL BY D/P CELL (5-VALVE MANIFOLD WITH SEPARATOR)		HG/T21581-95 HK04-109		
			第 1 张 共 1 张 1 OF 1 SHEET	总 91 张 第 9 张 9 OF 91 TOTAL	
压力等级: RATING: 16MPa	管件连接型式: CONN. TYPE:	对焊式连接 B.W	序号 NO.	位号 TAG NO.	管道或设备号 PIPE/VESSEL NO.

1		
2		
3		
4		
5		
6		
7		
8		
9		
10		



备注

1. 该方案适用于气相凝液不多而又能及对排除的情况。

NOTE:

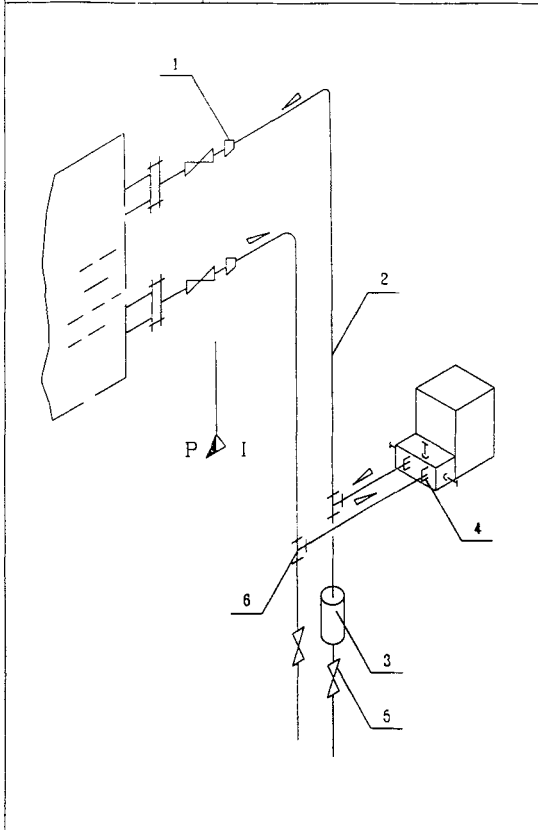
1. THIS CASE IS SUITABLE TO LESS CONDENSATE LIQUID IN GAS SIDE, AND DRAIN SO ON.

6	FB171 FB186		对焊式三通中间接头 B.W TEE	PN16 $\phi 14$	C.S 0Cr18Ni10Ti	1	
5	VB221 VB226		外螺纹球阀(带外垫螺母) MALE THREADED BALL VALVE (WITH BELL NUT)	PN16 DN5 $\phi 14$	C.S 0Cr18Ni10Ti	1	
	VC221 VC223	J21W-160 <sup>C</sup> P	外螺纹截止阀(带外垫螺母) MALE THREADED GLOBE VALVE (WITH BELL NUT)	PN16 DN5 $\phi 14$	C.S 0Cr18Ni10Ti	1	
4	VM501 VM502		五阀组 5-VALVE MANIFOLD	PN16 DN5	C.S 0Cr18Ni10Ti	1	附对焊式接头 $\phi 14$ WITH B.W UNION
3	CP021 CP022		分离容器 SEPARATOR	PN16 DN100 3X $\phi 14$	20 0Cr18Ni10Ti	1	
2	PL105 PL222	GB8163-87 GB2270-80	无缝钢管 TUBE (SMLS)	$\phi 14 \times 3$	20 0Cr18Ni10Ti		
1	FF015 FF016		对焊式异径管接头 B.W REDUCING UNION	PN16 $\phi 22 / \phi 14$	C.S 0Cr18Ni10Ti	2	
件号 NO.	代码 CODE	图号与标准号 DWG&STD NO.	名称及规格 NAME & SIZE		材料 MATERIAL	数量 Q'TY	备注 REMARKS
安装材料表				INSTALLATION MATERIAL LIST			

中华人民共和国行业标准 标准设计		老压式测量有压或负压设备液面管路连接图(三阀组带分离器)PN2.5 HOOK-UP DWG. OF LEVEL MEASUREMENT FOR PRESSURIZED /VACUUM VESSEL BY D/P CELL (3-VALVE MANIFOLD WITH SEPARATOR)		HG/T21581-95 HK04-110 第 1 张 共 1 张 总 91 张 第 10 张 1 OF 1 SHEET 10 OF 91 TOTAL			
压力等级: RATING:	2.5MPa	管件连接型式: CONN. TYPE:	对焊式连接 B. W	序号 NO.	位号 TAG NO.	管道或设备号 PIPE/VESSEL NO.	
				1			
				2			
				3			
				4			
				5			
				6			
				7			
				8			
				9			
				10			
				<p><b>备注</b></p> <ol style="list-style-type: none"> <li>该方案适用于气相凝液不多而又能及时排除的情况。</li> <li>当测量负压时,需增加以虚线表示的阀门,三通中间接头,材料表中未计入。</li> </ol> <p><b>NOTE:</b></p> <ol style="list-style-type: none"> <li>THIS CASE IS SUITABLE TO LESS CONDENSATE LIQUID IN GAS SIDE, AND DRAIN SO ON.</li> <li>MEASURING VACUUM, THE VALVE AND TEE INDICATED BY DOTTED LINE IS REQUIRED, AND NOT BE SHOWN IN MATERIAL LIST.</li> </ol>			
6	FBI67 FBI82		对焊式三通中间接头 B.W TEE	PN6.3 $\phi 14$	C.S 0Cr18Ni10Ti	2	
5	VB202 VB207	Q21F-25	外螺纹球阀(带外套螺母) MALE THREADED BALL VALVE (WITH BELL NUT)	PN2.5 DN10 $\phi 14$	C.S 0Cr18Ni10Ti	2	
	VC202 VC205	J21W-25 C P	外螺纹截止阀(带外套螺母) MALE THREADED GLOBE VALVE (WITH BELL NUT)	PN2.5 DN10 $\phi 14$	C.S 0Cr18Ni10Ti	2	
4	VM301 VM302		三阀组 3-VALVE MANIFOLD	PN16 DN5	C.S 0Cr18Ni10Ti	1	附对焊式接头 $\phi 14$ WITH B.W UNION
3	CP011 CP012		分离器 SEPARATOR	PN6.3 DN100 3x $\phi 14$	20 0Cr18Ni10Ti	1	
2	PL005 PL205	GB8163-87 GB2270-80	无缝钢管 TUBE (SMLS)	$\phi 14 \times 2$	20 0Cr18Ni10Ti		
1	FF011 FF012		对焊式异径管接头 B.W REDUCING UNION	PN6.3 $\phi 22 / \phi 14$	C.S 0Cr18Ni10Ti	2	
件号 NO.	代 码 CODE	图号与标准号 DWG&STD NO.	名 称 及 规 格 NAME & SIZE		材 料 MATERIAL	数 量 Q'TY	备 注 REMARKS
安 装 材 料 表				I N S T A L L A T I O N M A T E R I A L L I S T			

中华人民共和国行业标准 标准设计	差压式测量有压设备液面管路连接图(三角组带分离容器)PN6.3 HOOK-UP DWG. OF LEVEL MEASUREMENT FOR PRESSURIZED VESSEL BY D/P CELL (3-VALVE MANIFOLD WITH SEPARATOR)	HG/T21581-95 HK04-111
第 1 张 共 1 张 1 OF 1 SHEET	第 91 张 第 11 张 11 OF 91 TOTAL	

压力等级: RATING: 6.3MPa	管件连接型式: CONN. TYPE: 对焊式连接 B.W	序号 NO.	位号 TAG NO.	管道或设备号 PIPE/VESSEL NO.
-------------------------	-------------------------------------	-----------	---------------	---------------------------



1		
2		
3		
4		
5		
6		
7		
8		
9		
10		

备注  
该方案适用于气相凝液不多而又能及时排除的情况。

NOTE:  
THIS CASE IS SUITABLE TO LESS CONDENSATE LIQUID IN GAS SIDE, AND DRAIN SO ON.

6	FBI67 FBI82		对焊式三通中间接头 B.W TEE PN6.3 $\phi 14$	C.S 0Cr18Ni10Ti	2	
5	VB212 VB217	Q21F-64	外螺纹球阀(带外套螺母) PN6.3 DN10 $\phi 14$ MALE THREADED BALL VALVE (WITH BELL NUT)	C.S 0Cr18Ni10Ti	2	
	VC210 VC211	J21W-64 C P	外螺纹截止阀(带外套螺母) PN6.3 DN10 $\phi 14$ MALE THREADED GLOBE VALVE (WITH BELL NUT)	C.S 0Cr18Ni10Ti	2	
4	VM301 VM302		三角组 3-VALVE MANIFOLD PN16 DN5	C.S 0Cr18Ni10Ti	1	附对焊式接头 $\phi 14$ WITH B.W UNION
3	CP011 CP012		分离容器 SEPARATOR PN6.3 DN100 3X $\phi 14$	20 0Cr18Ni10Ti	1	
2	PL005 PL205	GBB163-87 GB2270-80	无缝测管 TUBE (SMLS) $\phi 14 \times 2$	20 0Cr18Ni10Ti		
1	FF011 FF012		对焊式异径活接头 B.W REDUCING UNION PN6.3 $\phi 22 / \phi 14$	C.S 0Cr18Ni10Ti	2	

序号 NO.	代码 CODE	图号与标准号 DWG&STD NO.	名称及规格 NAME & SIZE	材料 MATERIAL	数量 QTY	备注 REMARKS
-----------	------------	-----------------------	----------------------	----------------	-----------	---------------

安装材料表

INSTALLATION MATERIAL LIST



中华人民共和国行业标准 标准设计		差压式测线有压设备液面管路连接图(三阀组带分离器)PN16 HOOK-UP DWG. OF LEVEL MEASUREMENT FOR PRESSURIZED VESSEL BY D/P CELL (3-VALVE MANIFOLD WITH SEPARATOR)			HG/T21581-95 HK04-112		
压力等级: RATING: 16MPa		管件连接型式: CONN. TYPE:	对焊式连接 B.W	序号 NO.	位号 TAG NO.	管道或设备号 PIPE/VESSEL NO.	
				1			
				2			
				3			
				4			
				5			
				6			
				7			
				8			
				9			
				10			
				备注			
				该方案适用于气相凝液不多而又能及时排除的情况。			
				NOTE:			
				THIS CASE IS SUITABLE TO LESS CONDENSATE LIQUID IN GAS SIDE, AND DRAIN SO ON.			
6	FB171 FB186		对焊式三通中间接头 B.W TEE PN16 $\phi 14$	C.S 0Cr18Ni10Ti	2		
5	VB221 VB226		外螺纹球阀(带外套螺母) MALE THREADED BALL VALVE (WITH BELL NUT) PN16 DN5 $\phi 14$	C.S 0Cr18Ni10Ti	2		
	VC221 VC223	J21W-160 C P	外螺纹截止阀(带外套螺母) MALE THREADED GLOBE VALVE (WITH BELL NUT) PN16 DN5 $\phi 14$	C.S 0Cr18Ni10Ti	2		
4	VM301 VM302		三阀组 3-VALVE MANIFOLD PN16 DN5	C.S 0Cr18Ni10Ti	1	附对焊式接头 $\phi 14$ WITH B.W UNION	
3	CP021 CP022		分离器 SEPARATOR PN16 DN100 3X $\phi 14$	20 0Cr18Ni10Ti	1		
2	PL105 PL222	GB8163-87 GB2270-80	无缝钢管 TUBE(SMLS) $\phi 14 \times 3$	20 0Cr18Ni10Ti			
1	FF015 FF016		对焊式异径活接头 B.W REDUCING UNION PN16 $\phi 22 / \phi 14$	C.S 0Cr18Ni10Ti	2		
序号 NO.	代码 CODE	图号与标准号 DWG&STD NO.	名称及规格 NAME & SIZE	材料 MATERIAL	数量 Q'TY	备注 REMARKS	
安装材料表				INSTALLATION MATERIAL LIST			

中华人民共和国行业标准  
标准设计

· 差压式测量有压设备液面管路连接图(五阀组带冷凝器) PN6.3  
HOOK-UP DWG. OF LEVEL MEASUREMENT FOR PRESSURIZED  
VESSEL BY D/P CELL (5- VALVE MANIFOLD WITH CONDENSATE POT)

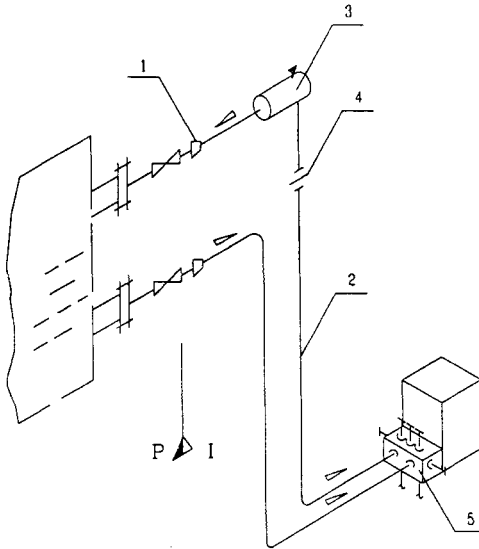
HG/T21581-95 HK04-113

第 1 页 共 1 页 总 91 页 第 13 页  
1 OF 1 SHEET 13 OF 91 TOTAL

压力等级:  
RATING: 6.3MPa

管件连接型式  
CONN. TYPE: 对焊式连接  
B.W

序号 NO.	位号 TAG NO.	管道或设备号 PIPE/VESSEL NO.
1		
2		
3		
4		
5		
6		
7		
8		
9		
10		



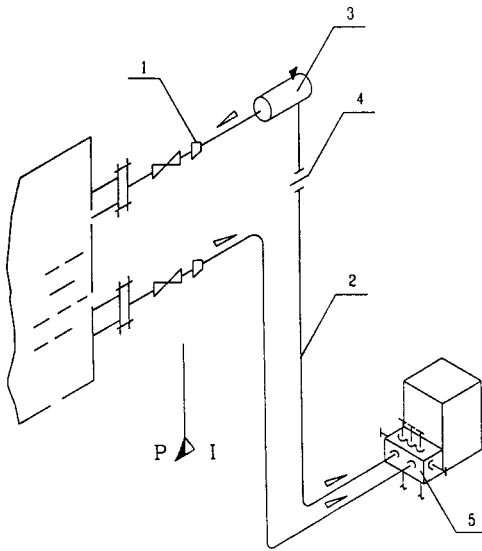
5	VM501 VM502		五阀组 5- VALVE MANIFOLD	PN16 DN5	C.S 0Cr18Ni10Ti	1	射对焊式接头 $\phi 14$ WITH B.W UNION
4	FB105 FB122		对焊式压道中间接头 B.W UNION	PN6.3 $\phi 14$	C.S 0Cr18Ni10Ti	1	
3	CC001 CC003		对焊式冷凝器 B.W CONDENSATE POT	PN6.3 DN100 $\phi 14$	20 0Cr18Ni10Ti	1	
2	PL005 PL205	GB8163-87 GB2270-80	无缝钢管 TUBE(SMLS)	$\phi 14 \times 2$	20 0Cr18Ni10Ti		
1	FF011 FF012		对焊式异径管接头 B.W REDUCING UNION	PN6.3 $\phi 22 / \phi 14$	C.S 0Cr18Ni10Ti	2	
序号 NO.	代码 CODE	图号与标准号 DWG&STD NO.	名称及规格 NAME & SIZE		材料 MATERIAL	数量 QTY	备注 REMARKS

安装材料表

INSTALLATION MATERIAL LIST

中华人民共和国行业标准 标准设计	壳压式测量有压设备液面管路连接图(五角组带冷凝管) PN16 HOOK-UP DWG. OF LEVEL MEASUREMENT FOR PRESSURIZED VESSEL BY D/P CELL (5-VALVE MANIFOLD WITH CONDENSATE POT)		HG/T21581-95 HK04-114		
			第1张 共1张 总91张 第14张 1 OF 1 SHEET 14 OF 91 TOTAL		
压力等级: RATING: 16MPa	管件连接型式: CONN. TYPE:	对焊式连接 B.W	序号 NO.	位号 TAG NO.	管道或设备号 PIPE/VESSEL NO.

1		
2		
3		
4		
5		
6		
7		
8		
9		
10		

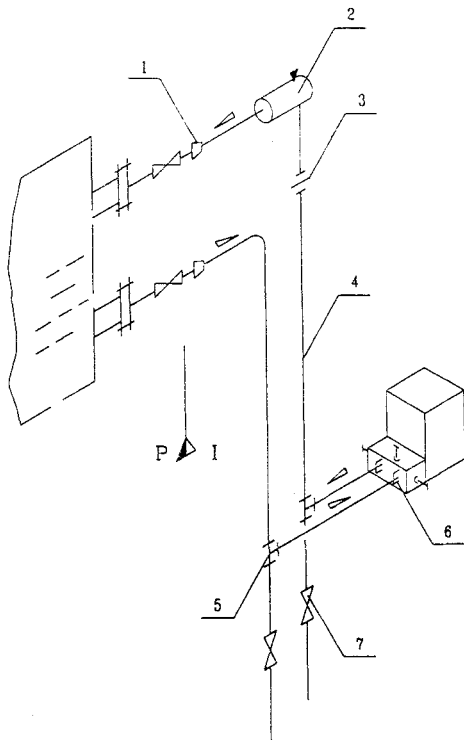


5	VM501 VM502		五角组 5-VALVE MANIFOLD	PN16 DN5	C.S 0Cr18Ni10Ti	1	附对焊式接头 $\phi 14$ WITH B.W UNION
4	FB112 FB133		对焊式直通中间接头 B.W UNION	PN16 $\phi 14$	C.S 0Cr18Ni10Ti	1	
3	CC004 CC005		对焊冷凝管基 B.W CONDENSATE POT	PN16 DN100 $\phi 14$	20 0Cr18Ni10Ti	1	
2	PL105 PL222	GB8163-87 GB2270-80	无缝钢管 TUBE(SMLS)	$\phi 14 \times 3$	20 0Cr18Ni10Ti		
1	FP015 FP016		对焊式异径活接头 B.W REDUCING UNION	PN16 $\phi 22 / \phi 14$	C.S 0Cr18Ni10Ti	2	
件号 NO.	代号 CODE	图号与标准号 DWG&STD NO.	名称及规格 NAME & SIZE		材料 MATERIAL	数量 QTY	备注 REMARKS

安装材料表

INSTALLATION MATERIAL LIST

中华人民共和国行业标准 标准设计	差压式测量有压设备液面管路连接图(三阀组带冷凝容器)PN2.5 HOOK-UP DWG. OF LEVEL MEASUREMENT FOR PRESSURIZED VESSEL BY D/P CELL (3-VALVE MANIFOLD WITH CONDENSATE POT)		HG/T21581-95 HK04-115		
			第 1 张 共 1 张 总 91 张 第 15 张 1 OF 1 SHEET 15 OF 91 TOTAL		
压力等级: RATING: 2.5MPa	管件连接型式: CONN. TYPE:	对焊式连接 B.W	序号 NO.	位号 TAG NO.	管道或设备号 PIPE/VESSEL NO.



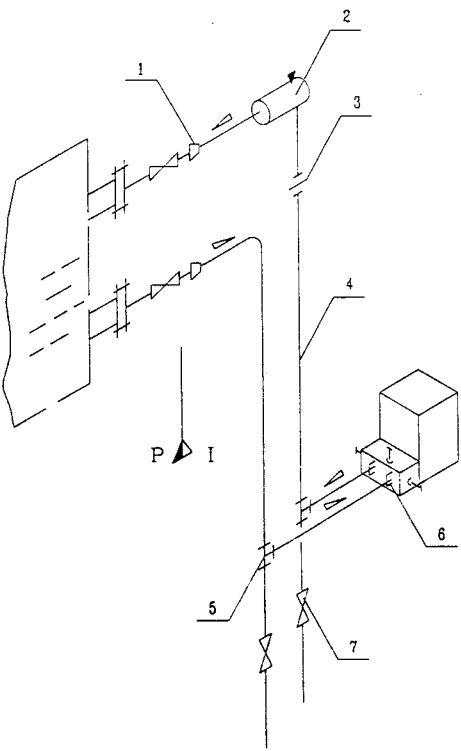
1		
2		
3		
4		
5		
6		
7		
8		
9		
10		

7	VB202 VB207	Q21F-25	外螺纹球阀(带外套螺母) PN2.5 DN10 ø14 MALE THREADED BALL VALVE(WITH BELL NUT)	C.S 0Cr18Ni10Ti	2	
	VC202 VC205	J21W-25 C P	外螺纹截止阀(带外套螺母) PN2.5 DN10 ø14 MALE THREADED GLOBE VALVE(WITH BELL NUT)	C.S 0Cr18Ni10Ti	2	
6	VM301 VM302		三阀组 3-VALVE MANIFOLD PN16 DN5	C.S 0Cr18Ni10Ti	1	附对焊式接头ø14 WITH B.W UNION
5	FB167 FB182		对焊式三通中间接头 B.W TEE PN6.3 ø14	C.S 0Cr18Ni10Ti	2	
4	PI005 PI205	CB8163-87 CB2270-80	无缝钢管 TUBE(SMLS) ø14x2	20 0Cr18Ni10Ti		
3	FB105 FB122		对焊式直通中间接头 B.W UNION PN6.3 ø14	C.S 0Cr18Ni10Ti	1	
2	CC001 CC003		对焊式冷凝器 B.W CONDENSATE POT PN6.3 DN100 ø14	20 0Cr18Ni10Ti	1	
1	FF011 FF012		对焊式异径活接头 B.W REDUCING UNION PN6.3 ø22/ø14	C.S 0Cr18Ni10Ti	2	
序号 NO.	代号 CODE	图号与标准号 DWG&STD NO.	名称及规格 NAME & SIZE	材料 MATERIAL	数量 QTY	备注 REMARKS

安装材料表

INSTALLATION MATERIAL LIST

压力等级: RATING: 6.3MPa	管件连接型式: CONN. TYPE: 对焊式连接 B.W	序号 NO.	位号 TAG NO.	管道或设备号 PIPE/VESSEL NO.
-------------------------	-------------------------------------	-----------	---------------	---------------------------



1		
2		
3		
4		
5		
6		
7		
8		
9		
10		

7	VB212 VB217	Q21F-64	外螺纹球阀(带外套螺母) PN6.3 DN10 $\phi$ 14 MALE THREADED BALL VALVE (WITH BELL NUT)	C.S 0Cr18Ni10Ti	2	
	VC210 VC211	J21W-64 C P	外螺纹截止阀(带外套螺母) PN6.3 DN10 $\phi$ 14 MALE THREADED GLOBE VALVE (WITH BELL NUT)	C.S 0Cr18Ni10Ti	2	
6	VM301 VM302		三阀组 3-VALVE MANIFOLD PN16 DN5	C.S 0Cr18Ni10Ti	1	附对焊式接头 $\phi$ 14 WITH B.W UNION
5	FB167 FB182		对焊式三通中间接头 B.W TEE PN6.3 $\phi$ 14	C.S 0Cr18Ni10Ti	2	
4	PL005 PL205	GB8163-87 GB2270-80	无缝钢管 TUBE(SMLS) $\phi$ 14X2	20 0Cr18Ni10Ti		
3	FB105 FB122		对焊式直通中间接头 B.W UNION PN6.3 $\phi$ 14	C.S 0Cr18Ni10Ti	1	
2	CC001 CC003		对焊式冷凝容器 B.W CONDENSATE POT PN6.3 DN100 $\phi$ 14	20 0Cr18Ni10Ti	1	
1	FF011 FF012		对焊式异径活接头 B.W REDUCING UNION PN6.3 $\phi$ 22/ $\phi$ 14	C.S 0Cr18Ni10Ti	2	
件号 NO.	代号 CODE	图号与标准号 DWG&STD NO.	名称及规格 NAME & SIZE	材料 MATERIAL	数量 QTY	备注 REMARKS

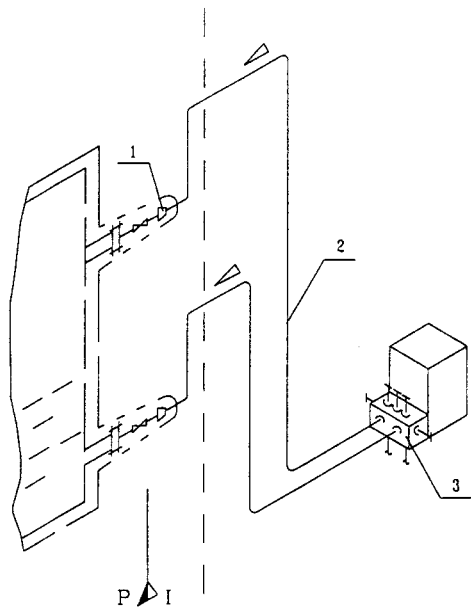
安装材料表

INSTALLATION MATERIAL LIST

中华人民共和国行业标准 标准设计		差压式测量有压设备液面管路连接图(三阀组带冷凝容器) PN16 HOOK-UP DWG. OF LEVEL MEASUREMENT FOR PRESSURIZED VESSEL BY D/P CELL (3-VALVE MANIFOLD WITH CONDENSATE POT)			HG/T21581-95 HK04-117		
压力等级: RATING: 16MPa		管件连接型式: CONN. TYPE:	对焊式连接 B.W	序号 NO.	位号 TAG NO.	管道或设备号 PIPE/VESSEL NO.	第 1 张 共 1 张 总 91 张 第 17 页 1 OF 1 SHEET 17 OF 91 TOTAL
				1			
				2			
				3			
				4			
				5			
				6			
				7			
				8			
				9			
				10			
7	VB221 VB226	J21W-160 C P	外螺纹球阀(带外套螺母) PN16 DN5 $\phi$ 14 MALE THREADED BALL VALVE (WITH BELL NUT)	C.S 0Cr18Ni10Ti	2		
	VC221 VC223		外螺纹截止阀(带外套螺母) PN16 DN5 $\phi$ 14 MALE THREADED GLOBE VALVE (WITH BELL NUT)	C.S 0Cr18Ni10Ti	2		
6	VM301 VM302		三阀组 PN16 DN5 3-VALVE MANIFOLD	C.S 0Cr18Ni10Ti	1		带对焊式接头 $\phi$ 14 WITH B.W UNION
5	FBI171 FBI186		对焊式三通中间接头 B.W TEE	PN16 $\phi$ 14 C.S 0Cr18Ni10Ti	2		
4	PL105 PL222	GB8163-87 GB2270-80	无缝钢管 TUBE(SMLS)	$\phi$ 14X3 C.S 0Cr18Ni10Ti			
3	FBI112 FBI135		对焊式直通中间接头 B.W UNION	PN16 $\phi$ 14 C.S 0Cr18Ni10Ti	1		
2	CC004 CC005		对焊冷凝容器 B.W CONDENSATE POT	PN16 DN100 $\phi$ 14 C.S 0Cr18Ni10Ti	1		
1	FF015 FF016		对焊式异径管接头 B.W REDUCING UNION	PN16 $\phi$ 22/ $\phi$ 14 C.S 0Cr18Ni10Ti	2		
件号 NO.	代号 CODE	图号与标准号 DWG&STD NO.	名称及规格 NAME & SIZE	材料 MATERIAL	数量 Q'TY	备注 REMARKS	
安装材料表				INSTALLATION MATERIAL LIST			

中华人民共和国行业标准 标准设计	差压式测量低沸点介质液面管路连接图(五阀组) PN2.5 HOOK-UP DWG. OF LEVEL MEASUREMENT FOR LOW BOIL POINT MEDIUM BY D/P CELL(5-VALVE MANIFOLD)		HG/T21581-95 HK04-118		
			第 1 页 共 1 页 1 OF 1 SHEET	总 91 页 第 18 页 18 OF 91 TOTAL	
压力等级: RATING: 2.5MPa	管件连接型式: CONN. TYPE:	对焊式连接 B.W	序号 NO.	位号 TAG NO.	管道或设备号 PIPE/VESSEL NO.

1		
2		
3		
4		
5		
6		
7		
8		
9		
10		



备注

1. 常年加伴热保温,使其汽化.
2. 变送器也可安装在取压点上方.

NOTE:

1. STEAM TRACING AND VAPORIZING DURING OPERATING.
2. THE TRANSMITTER CAN BE MOUNTED ABOVE TAP.

3	VM501 VM502		五阀组 5-VALVE MANIFOLD	PN16 DN5	C.S 0Cr18Ni10Ti	1	附对焊式接头 $\phi 14$ WITH B.W UNION
2	PL005 PL205	GB8163-87 GB2270-80	无缝钢管 TUBE(SMLS)	$\phi 14 \times 2$	20 0Cr18Ni10Ti		
1	FF011 FF012		对焊式异径活接头 B.W REDUCING UNION	PN6.3 $\phi 22 / \phi 14$	C.S 0Cr18Ni10Ti	2	
序号 NO.	代码 CODE	图号与标准号 DWG&STD NO.	名称及规格 NAME & SIZE		材料 MATERIAL	数量 QTY	备注 REMARKS

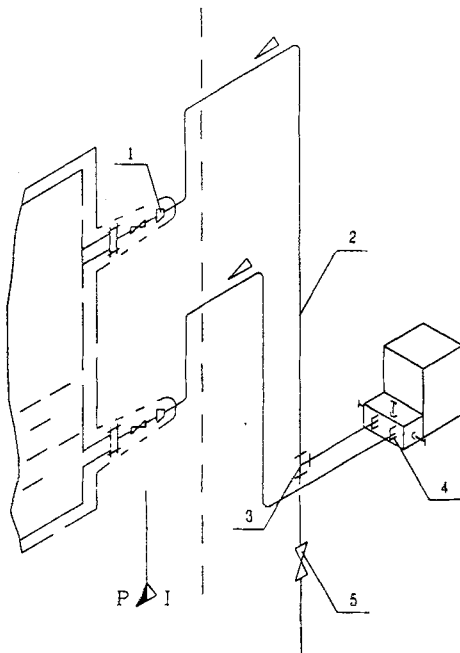
安装材料表

INSTALLATION MATERIAL LIST

中华人民共和国行业标准 标准设计	蒸汽式测量低沸点介质液面管路连接图(三阀组) PN2.5 HOOK-UP DWG. OF LEVEL MEASUREMENT FOR LOW BOIL POINT MEDIUM BY D/P CELL(3-VALVE MANIFOLD)		HG/T21581-95 HK04-119	
			第 1 张 共 1 张 总 91 张 第 19 张 1 OF 1 SHEET / 19 OF 91 TOTAL	

压力等级: RATING: 2.5MPa	管件连接型式: CONN. TYPE	对焊式连接 B.W	序号 NO.	位号 TAG NO.	管道及设备号 PIPE/VESSEL NO.
-------------------------	-----------------------	--------------	-----------	---------------	---------------------------

1		
2		
3		
4		
5		
6		
7		
8		
9		
10		



备注

1. 常年加伴热保温,使其汽化。
2. 变送器也可安装在取压点上方。

NOTE:

1. STEAM TRACING AND VAPORIZING DURING OPERATING.
2. THE TRANSMITTER CAN BE MOUNTED ABOVE TAP.

5	VB202	Q21F-25	外螺纹球阀(带外套螺母) PN2.5 DN10 $\phi$ 14	C.S	1	
	VB207		MALE THREADED BALL VALVE (WITH BELL NUT)	OCr18Ni10Ti		
	VC202	J21W-25 P	外螺纹截止阀(带外套螺母) PN2.5 DN10 $\phi$ 14	C.S	1	
	VC205		MALE THREADED GLOBE VALVE (WITH BELL NUT)	OCr18Ni10Ti		
4	VM301	三阀组	3-VALVE MANIFOLD PN16 DN5	C.S	1	对焊式接头 $\phi$ 14 WITH B.W UNION
	VM302			OCr18Ni10Ti		
3	FB167		对焊式三通中间接头	C.S	1	
	FB182		B.W TEE PN6.3 $\phi$ 14	OCr18Ni10Ti		
2	PL005	GB8163-87	无缝钢管	$\phi$ 14X2	20	
	PL205					
1	FF011		对焊式异径活接头	PN6.3 $\phi$ 22/ $\phi$ 14	C.S	2
	FF012					
件号 NO.	代号 CODE	图号与标准号 DWG&STD NO.	名称及规格 NAME & SIZE	材料 MATERIAL	数量 QTY	备注 REMARKS

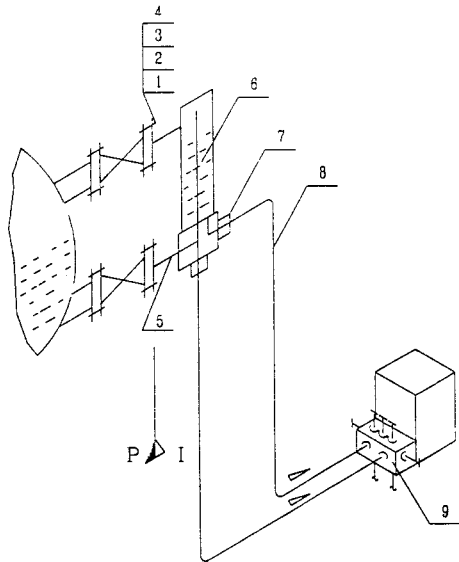
安装材料表

INSTALLATION MATERIAL LIST



中华人民共和国行业标准 标准设计	差压式测量锅炉汽包水位管路连接图 (五角型) PN6.3 HOOK-UP DWG. OF LEVEL MEASUREMENT FOR BOILER DRUM BY D/P CELL (5-VALVE MANIFOLD)		HG/T21581-95 HKO4-120		
			第 1 张 共 1 张 总 91 张 第 20 张 1 OF 1 SHEET 20 OF 91 TOTAL		
压力等级: RATING: 6.3MPa	管件连接型式: CONN. TYPE:	对焊式连接 B.W	序号 NO.	位号 TAG NO.	管道或设备号 PIPE/VESSEL NO.

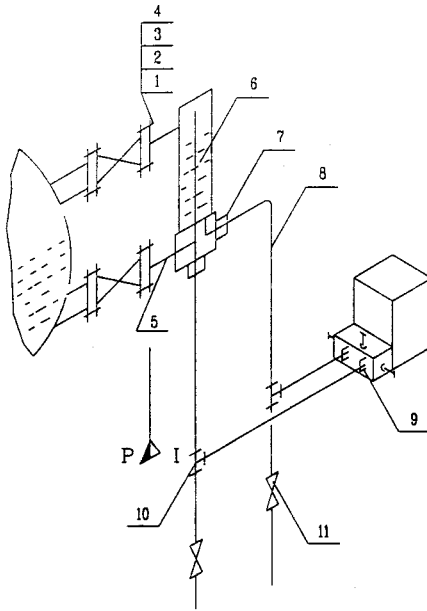
1		
2		
3		
4		
5		
6		
7		
8		
9		
10		



9	VM501		五角型 5-VALVE MANIFOLD	PN16 DN5	C.S	1	附对焊式接头 $\phi 14$ WITH B.W UNION
8	PL005	GB8163-87	无缝钢管 TUBE(SMLS)	$\phi 14 \times 2$		20	
7	PB006		对焊式直通终端接头 B.W CONNECTOR	PN6.3 $\phi 14/M18 \times 1.5$	C.S	2	
6	CB001		双室平衡容器 DOUBLE CHAMBER EQUALIZING POT	L= PN6.3		20	1 L 由工程确定 L DESIGN BY ENGINEERING
5	PL008	GB8163-87	无缝钢管 TUBE(SMLS)	$\phi 25 \times 3$		20	
4	UF322	JB82-59	凸面法兰 MALE FACE FLANGE	PN6.3 DN20	C.S	2	
3	UC019	JB87-59	垫片 GASKET	$\phi 50/26$ $\delta=1.5$	石棉橡胶	2	
2	UN113	GB6170-86	螺母 NUT	M16		25	16
1	UB209	GB901-88	双头螺栓 STUD BOLT	M16X95		35	8
件号 NO.	代号 CODE	图号与标准号 DWG&STD NO.	名称及规格 NAME & SIZE		材料 MATERIAL	数量 QTY	备注 REMARKS
安装材料表			INSTALLATION MATERIAL LIST				

中华人民共和国行业标准 标准设计	差压式测量锅炉汽包水位管路连接图(三阀组) PN6.3 HOOK-UP DWG. OF LEVEL MEASUREMENT FOR BOILER DRUM BY D/P CELL (3-VALVE MANIFOLD)		HG/T21581-95 HK04-121	
			第 1 张 共 1 张	第 91 张 第 21 张 1 OF 1 SHEET 21 OF 91 TOTAL

压力等级: RATING: 6.3MPa	管件连接型式: CONN. TYPE: 对焊式连接 B.W	序号 NO.	位号 TAG NO.	管道或设备号 PIPE/VESSEL NO.
-------------------------	-------------------------------------	-----------	---------------	---------------------------



1		
2		
3		
4		
5		
6		
7		
8		
9		
10		

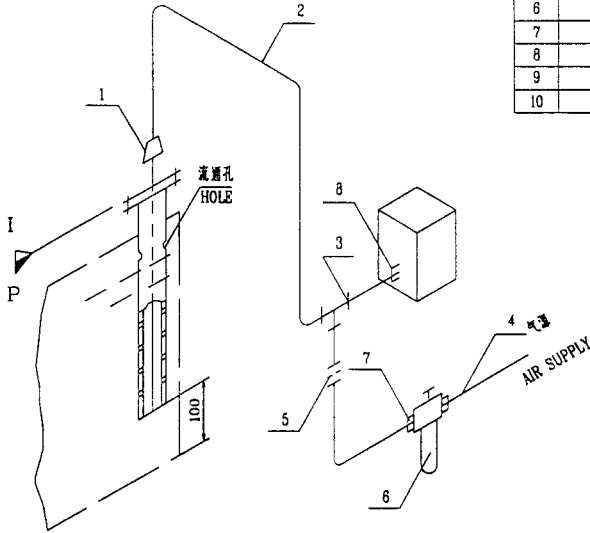
11	VB212	Q21F-64	外螺纹球阀(带外套螺母) PN6.3 DN10 $\phi 14$ MALE THREADED BALL VALVE (WITH BELL NUT)	C.S	2		
	VC210	J21W-64C	外螺纹截止阀(带外套螺母) PN6.3 DN10 $\phi 14$ MALE THREADED GLOBE VALVE (WITH BELL NUT)	C.S	2		
10	FB167		对焊式三通中间接头 PN6.3 $\phi 14$ B.W TEE	C.S	2		
9	VM301		三阀组 PN16 DN5 3-VALVE MANIFOLD	C.S	1	附对焊式接头 $\phi 14$ WITH B.W UNION	
8	PL005	GB8163-87	无缝钢管 TUBE (SMLS) $\phi 14 \times 2$		20		
7	FB006		对焊式直通异径接头 PN6.3 $\phi 14 / M18 \times 1.5$ B.W CONNECTOR	C.S	2		
6	CB001		双室平衡容器 DOUBLE CHAMBER EQUALIZING POT L= PN6.3		20	1	L由工程确定 L DESIGN BY ENGINEERING
5	PL008	GB8163-87	无缝钢管 TUBE (SMLS) $\phi 25 \times 3$		20		
4	UF322	JB82-59	凸面法兰 MALE FACE FLANGE PN6.3 DN20	C.S	2		
3	UC019	JB87-59	垫片 GASKET $\phi 50 / 26$ $\delta = 1.5$	石棉橡胶	2		
2	UN113	GB6170-86	螺母 NUT M16		25	16	
1	UB209	GB901-88	双头螺栓 STUD BOLT M16X95		35	8	
件号 NO.	代号 CODE	图号与标准号 DWG&STD NO.	名称及规格 NAME & SIZE	材料 MATERIAL	数量 Q'TY	备注 REMARKS	

安装材料表

INSTALLATION MATERIAL LIST

中华人民共和国行业标准 标准设计	吹气法测量常压设备液面管路连接图(限流孔板)		HG/T21581-95 HK04-122		
	HOOK-UP DWG. OF LEVEL MEASUREMENT FOR ATMOSPHERIC VESSEL WITH AIR PURGE (RESTRICTION ORIFICE)		第 1 张 共 1 张	总 91 张	第 22 张
压力等级: RATING:	管件连接型式 CONN. TYPE:	对焊式连接 B.W	序号 NO.	位号 TAG NO.	管道或设备号 PIPE/VESSEL NO.

1		
2		
3		
4		
5		
6		
7		
8		
9		
10		



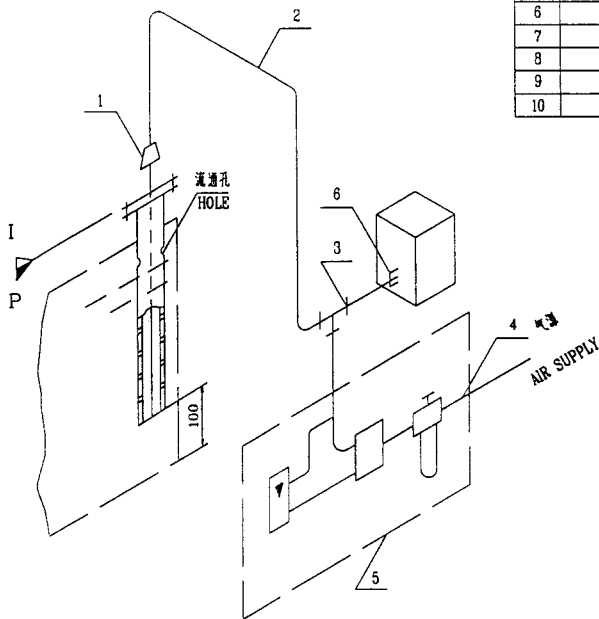
8	FB010 FB055		对焊式直通终端接头 B.W CONNECTOR	PN6.3 $\phi 14/1/2"$ NPT	C.S 0Cr18Ni10Ti	1	
7	FP101		压环式直通终端接头 COMP. CONNECTOR	M10X1/16	H62	2	
6			空气过滤器减压阀 AIR SET		C.S 0Cr18Ni10Ti	1	详见仪表数据表 REF. INST. DATA SHEET
5			限流孔板 RESTRICTION ORIFICE		C.S 0Cr18Ni10Ti	1	详见仪表数据表 REF. INST. DATA SHEET
4	PC101	GB1527-87	铜管 COPPER TUBE	$\phi 6 \times 1$	T3		
3	FB201 FB202		对焊式异径三通接头(中小) B.W REDUCING TEE	PN6.3 $\phi 14 \text{BW} / \phi 6 \text{FT}$	C.S 0Cr18Ni10Ti	1	
2	PL005 PL205	GB8163-87 GB2270-80	无缝铜管 TUBE(SMLS)	$\phi 14 \times 2$	20 0Cr18Ni10Ti		
1	FF011 FF012		对焊式异径活接头 B.W REDUCING UNION	PN6.3 $\phi 22 / \phi 14$	C.S 0Cr18Ni10Ti	1	
件号 NO.	代号 CODE	图号与标准号 DWG&STD NO.	名称及规格 NAME & SIZE		材料 MATERIAL	数量 Q'TY	备注 REMARKS

安装材料表

INSTALLATION MATERIAL LIST

中华人民共和国行业标准 标准设计	吹气法测量常压设备液面管路连接图 (吹气装置)		HG/T21581-95 HK04-123		
	HOOK-UP DWG. OF LEVEL MEASUREMENT FOR ATMOSPHERIC VESSEL WITH AIR PURGE (AIR BUBBLER)		第 1 张 共 1 张 总 91 张 第 23 张 1 OF 1 SHEET 23 OF 91 TOTAL		
压力等级: RATING:	管件连接型式: CONN. TYPE:	对焊式连接 B.W	序号 NO.	位号 TAG NO.	管道或设备号 PIPE/VESSEL NO.

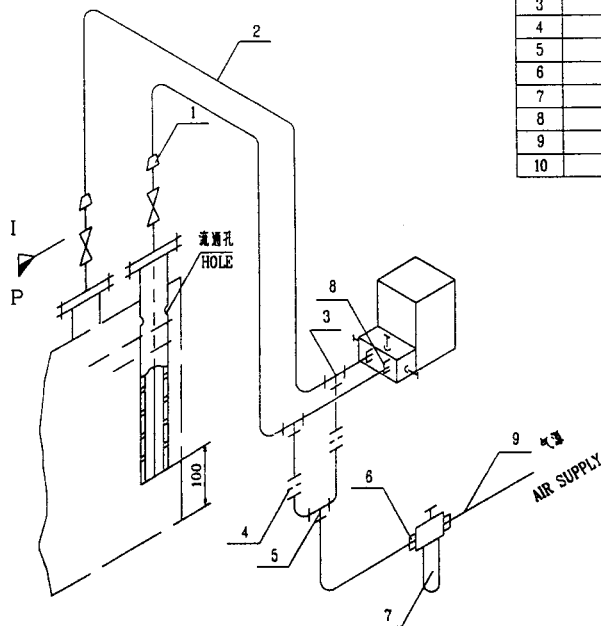
1		
2		
3		
4		
5		
6		
7		
8		
9		
10		



6	FB010 FB055		对焊式直通终端接头 B.W CONNECTOR	PN6.3 $\phi$ 14/ 1/2" NPT	C.S 0Cr18Ni10Ti	1	
5			吹气装置 AIR BUBBLER			1	详见仪表数据表 REF. INST. DATA SHEET
4	PC101		铜管 COPPER TUBE	$\phi$ 6X1	T3	1	
3	FB201 FB202		对焊式异径三通接头(中小) B.W REDUCING TEE	PN6.3 $\phi$ 14BW/ $\phi$ 6FT	C.S 0Cr18Ni10Ti	1	
2	PL005 PL205	GB8163-87 GB2270-80	无缝钢管 TUBE (SMLS)	$\phi$ 14X2	20 0Cr18Ni10Ti		
1	FF011 FF012		对焊式异径活接头 B.W REDUCING UNION	PN6.3 $\phi$ 22/ $\phi$ 14	C.S 0Cr18Ni10Ti	1	
序号 NO.	代码 CODE	图号与标准号 DWG&STD NO.	名称及规格 NAME & SIZE		材料 MATERIAL	数量 Q'TY	备注 REMARKS
安装材料表			INSTALLATION MATERIAL LIST				

中华人民共和国行业标准 标准设计	吹气法测量有压设备液面管路连接图(限流孔板)			HG/T21581-95 HK04-124	
	HOOK-UP DWG. OF LEVEL MEASUREMENT FOR PRESSURIZED VESSEL WITH AIR PURGE (RESTRICTION ORIFICE)			第 1 张 共 1 张 总 91 张 第 24 张 1 OF 1 SHEET / 24 OF 91 TOTAL	
压力等级: RATING: <math>\leq 0.16\text{MPa}</math>	管件连接型式: CONN. TYPE:	对焊式连接 B.W	序号 NO.	位号 TAG NO.	管道或设备号 PIPE/VESSEL NO.

1		
2		
3		
4		
5		
6		
7		
8		
9		
10		



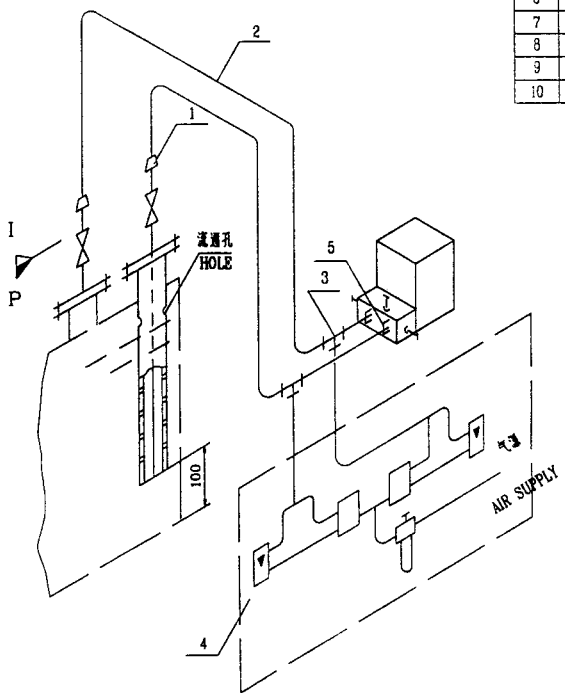
9	PC101	GB1527-87	铜管 COPPER TUBE	$\phi 6 \times 1$	T3		
8	VM301 VM302		三阀组 3-VALVE MANIFOLD	PN16 DN5	C.S 0Cr18Ni10Ti	1	附对焊式接头 $\phi 14$ WITH B.W UNION
7			空气过滤器减压阀 AIR SET			1	详见仪表数据表 REF.INST.DATA SHEET
6	FP101		压环式直通终端接头 COMP. END CONNECTOR	PN1.0 M10X1/ $\phi 6$	H62	2	
5	FP321		压环式三通中间接头 COMP. TEE	PN1.0 $\phi 6$	H62	1	
4			限流孔板 RESTRICTION ORIFICE		C.S 0Cr18Ni10Ti	2	详见仪表数据表 REF.INST.DATA SHEET
3	FB201 FB202		对焊式异径三通接头(中小) B.W REDUCING TEE	PN6.3 $\phi 14\text{BW}/\phi 6\text{FT}$	C.S 0Cr18Ni10Ti	2	
2	PL005 PL205	GB8163-87 GB2270-80	无缝钢管 TUBE(SMLS)	$\phi 14 \times 2$	20 0Cr18Ni10Ti		
1	FF011 FF012		对焊式异径活接头 B.W REDUCING UNION	PN6.3 $\phi 22/\phi 14$	C.S 0Cr18Ni10Ti	2	
件号 NO.	代号 CODE	图号与标准号 DWG&STD NO.	名称及规格 NAME & SIZE		材料 MATERIAL	数量 Q'TY	备注 REMARKS

安装材料表

INSTALLATION MATERIAL LIST

中华人民共和国行业标准 标准设计	吹气法测量有压设备液面管路连接图(吹气装置) HOOK-UP DWG. OF LEVEL MEASUREMENT FOR PRESSURIZED VESSEL WITH AIR PURGE (AIR BUBBER)		HG/T21581-95 HK04-125		
			第 1 张 共 1 张 1 OF 1 SHEET	总 91 张 第 25 张 25 OF 91 TOTAL	
压力等级: RATING: <math>\leq 0.16\text{MPa}</math>	管件连接型式: CONN. TYPE:	对焊式连接 B.W	序号 NO.	位号 TAG NO.	管道或设备号 PIPE/VESSEL NO.

1		
2		
3		
4		
5		
6		
7		
8		
9		
10		



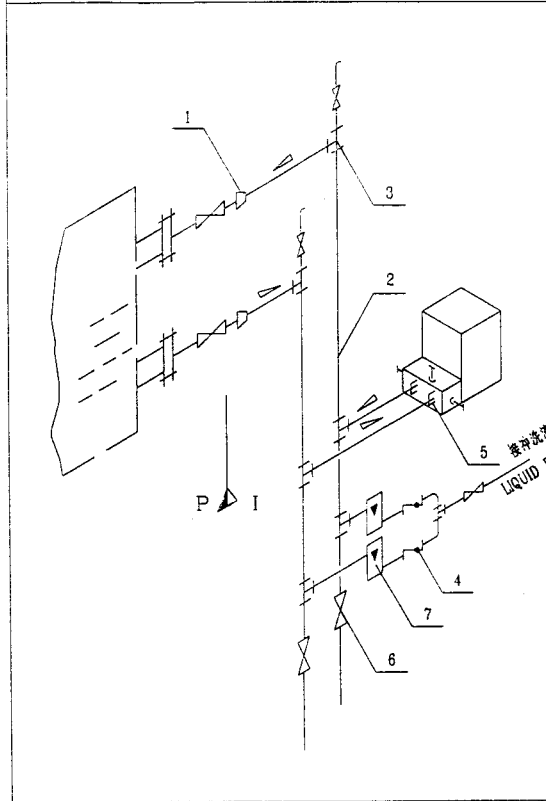
5	VM301 VM302		三阀组 3-VALVE MANIFOLD	PN16 DN5	C.S 0Cr18Ni10Ti	1	附对焊式接头 $\phi 14$ WITH B.W UNION
4			吹气装置 AIR BUBBER			1	详见仪表数据表 REF. INST. DATA SHEET
3	FB201 FB202		对焊式异径三通接头(中小) B.W REDUCING TEE	PN6.3 $\phi 14\text{BW}/\phi 6\text{FT}$	C.S 0Cr18Ni10Ti	2	
2	PL005 PL205	GB8163-87 GB2270-80	无缝钢管 TUBE (SMLS)	$\phi 14 \times 2$	20 0Cr18Ni10Ti		
1	FF011 FF012		对焊式异径活接头 B.W REDUCING UNION	PN6.3 $\phi 22/\phi 14$	C.S 0Cr18Ni10Ti	2	
件号 NO.	代号 CODE	图号与标准号 DWG&STD NO.	名称及规格 NAME & SIZE	材料 MATERIAL	数量 Q'TY	备注 REMARKS	

安装材料表

INSTALLATION MATERIAL LIST

中华人民共和国行业标准 标准设计		动液池液位测量用设备液面管连接图(五通组) PN6.3 HOOK-UP DWG. OF LEVEL MEASUREMENT FOR PRESSURIZED VESSEL WITH LIQUID FLUSH BY D/P CELL (5-VALVE MANIFOLD)		HG/T21581-95 HK04-126		
压力等级: RATING: 3.3MPa		管件连接型式: CONN. TYPE: 对焊式连接 B.7		序号 NO.	代号 TAG NO.	管道或设备号 PIPE/VESSEL NO.
				1		
				2		
				3		
				4		
				5		
				6		
				7		
				8		
				9		
				10		
7	VB212 VB217	Q21F-64	外螺纹球阀(带外套螺母) PN6.3 DN10 $\phi$ 14 MALE THREADED BALL VALVE (WITH BELL NUT)	C.S 0Cr18Ni10Ti	3	
	VC210 VC211	J21W-64 C P	外螺纹截止阀(带外套螺母) PN6.3 DN10 $\phi$ 14 MALE THREADED GLOBE VALVE (WITH BELL NUT)	C.S 0Cr18Ni10Ti	3	
6			金属转子流量计(带恒压控制器) ROTAMETER WITH (CONSTANT D/P RELAY)		2	详见仪表数据表 REF. INST. DATA SHEET
5	VM501 VM502		五通组 5-VALVE MANIFOLD PN16 DN5	C.S 0Cr18Ni10Ti	1	带对焊式接头 $\phi$ 14 WITH B.7 UNION
4	VC795 VC796		外螺纹截止阀 B.7 CHECK VALVE PN6.3 DN10 $\phi$ 14	C.S 0Cr18Ni10Ti	2	
3	FB167 FB182		对焊式三通中间接头 B.7 TEE PN6.3 $\phi$ 14	C.S 0Cr18Ni10Ti	5	
2	PL005 PL295	GB8163-87 GB2270-80	无缝钢管 TUBE (SHLS) $\phi$ 14X2	20 0Cr18Ni10Ti		
1	FF011 FF012		对焊式异径接头 B.7 REDUCING UNION PN6.3 $\phi$ 22/ $\phi$ 14	C.S 0Cr18Ni10Ti	2	
序号 NO.	代号 CODE	图号与标准号 DWG&STD NO.	名称及规格 NAME & SIZE	材料 MATERIAL	数量 Q'TY	备注 REMARKS
安装材料表			INSTALLATION MATERIAL LIST			

压力等级: RATING:	2.5MPa	零件连接型式: CONN. TYPE:	对焊式连接 B.W	序号 NO.	位号 TAG NO.	管道或设备号 PIPE/VESSEL NO.
------------------	--------	------------------------	--------------	-----------	---------------	---------------------------



1		
2		
3		
4		
5		
6		
7		
3		
9		
10		

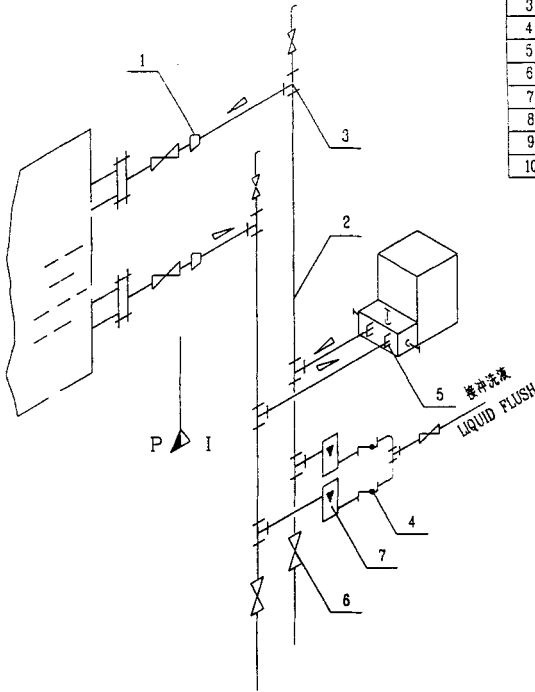
7			旋转转子流量计(带恒差密封) ROTAMETER (WITH CONSTANT D/P RELAY)		2	详见仪表数据表 REF. INST. DATA SHEET
6	VB202	Q21F-25	外螺纹球阀(带外垫螺母) PN2.5 DN10 $\phi$ 14	C.S	5	
	VC202					
	VC205	J21W-25 C/P	外螺纹截止阀(带外垫螺母) PN2.5 DN10 $\phi$ 14	C.S	5	
				OCr18Ni10Ti		
5	VM301		三阀组	C.S	1	
	VM302		3-VALVE MANIFOLD	OCr18Ni10Ti		附对焊式接头 $\phi$ 14 WITH B.W UNION
4	VC795		对焊式止回阀	C.S	2	
	VC796		对焊式止回阀	OCr18Ni10Ti		
3	FB167		对焊式三通中间接头	C.S	7	
	FB182		对焊式三通中间接头	OCr18Ni10Ti		
2	PL005	GB8163-87	无缝钢管	20		
	PL205	GB2270-80	无缝钢管	OCr18Ni10Ti		
1	FF011		对焊式异径接头	C.S	2	
	FF012		对焊式异径接头	OCr18Ni10Ti		
序号 NO.	代号 CODE	图号与标准号 DWG&STD NO.	名称及规格 NAME & SIZE	材料 MATERIAL	数量 QTY	备注 REMARKS

安装材料表

INSTALLATION MATERIAL LIST



压力等级: RATING: 6.3MPa	管件连接型式: CONN. TYPE: 对焊式连接 B.W	序号 NO.	位号 TAG NO.	管道或设备号 PIPE/VESSEL NO.
-------------------------	-------------------------------------	-----------	---------------	---------------------------



1		
2		
3		
4		
5		
6		
7		
8		
9		
10		

7			金属转子流量计(带恒差控制箱) ROTAMETER (WITH CONSTANT D/P RELAY)		2	详见仪表数据表 REF. INST. DATA SHEET
6	VB212 VB217	Q21F-64	外螺纹球阀(带外装螺母) PN6.3 DN10 $\phi 14$ MALE THREADED BALL VALVE (WITH BELL NUT)	C.S 0Cr18Ni10Ti	5	
	VC210 VC211	J21W-64 C P	外螺纹截止阀(带外装螺母) PN6.3 DN10 $\phi 14$ MALE THREADED GLOBE VALVE (WITH BELL NUT)	C.S 0Cr18Ni10Ti	5	
5	VM301 VM302		三阀组 PN16 DN5 3-VALVE MANIFOLD	C.S 0Cr18Ni10Ti	1	附对焊式接头 $\phi 14$ WITH B.W UNION
4	VC795 VC796		对焊式止回阀 PN6.3 DN10 $\phi 14$ B.W CHECK VALVE	C.S 0Cr18Ni10Ti	2	
3	FB167 FB182		对焊式三通中间接头 PN6.3 $\phi 14$ B.W TEE	C.S 0Cr18Ni10Ti	7	
2	PL005 PL205	GB8163-87 GB2270-80	无缝钢管 $\phi 14 \times 2$ TUBE (SMLS)	20 0Cr18Ni10Ti		
1	FF011 FF012		对焊式异径接头 PN6.3 $\phi 22 / \phi 14$ B.W REDUCING UNION	C.S 0Cr18Ni10Ti	2	
序号 NO.	代码 CODE	图号与标准号 DWG&STD NO.	名称及规格 NAME & SIZE	材料 MATERIAL	数量 Q'TY	备注 REMARKS

安装材料表

INSTALLATION MATERIAL LIST

中华人民共和国行业标准  
标准设计

悬压式测量常压设备液面管连接图  
HOOK-UP DWG. OF LEVEL MEASUREMENT  
FOR ATMOSPHERIC VESSEL BY O/P CELL

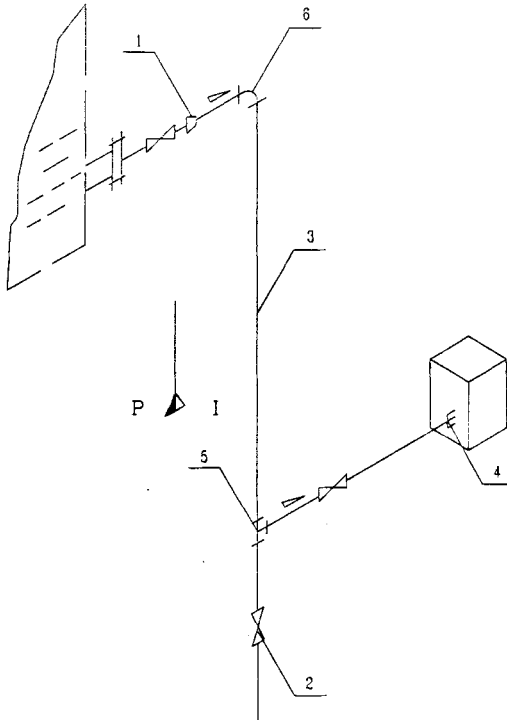
HG/T21581-95 HK04-201

第 1 张 共 1 张 总 91 张 第 29 页  
1 OF 1 SHEET 29 OF 91 TOTAL

压力等级:  
RATING:

管件连接型式: 承插焊连接  
CONN. TYPE: S.W

序号 NO.	位号 TAG NO.	管道或设备号 PIPE/VESSEL NO.
1		
2		
3		
4		
5		
6		
7		
8		
9		
10		



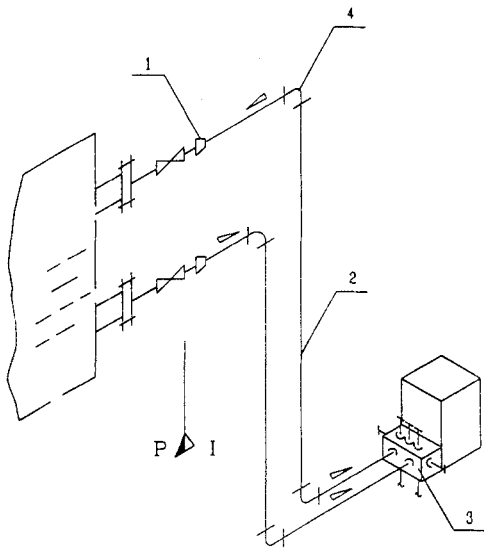
6	FS043 FS053		承插焊三通中间接头 90° S.W 90° ELBOW	PN6.3	ø18	C.S 0Cr18Ni10Ti		
5	FS073 FS083		承插焊三通中间接头 S.W TEE	PN6.3	ø18	C.S 0Cr18Ni10Ti	1	
4	FB024 FB059		对焊式直通终端接头 B.W END CONNECTOR	PN6.3	ø18 / 1/2" NPT	C.S 0Cr18Ni10Ti	1	
3	PL106 PL223	GB8163-87 GB2270-80	无缝钢管 TUBE(SMLS)		ø18X3	20 0Cr18Ni10Ti		
2	VG531 VG636	Z61H-64	承插焊闸阀 S.W GATE VALVE	PN6.3	DN10	C.S 0Cr18Ni10Ti	2	
1	FN541 FN542		承插焊异径短节 S.W REDUCING ADAPTER	PN6.3	ø22/S.W ø18	C.S 0Cr18Ni10Ti	1	
序号 NO.	代码 CODE	图号与标准号 DWG&STD NO.	名称及规格 NAME & SIZE	材料 MATERIAL	数量 Q'TY	备注 REMARKS		

安装材料表

INSTALLATION MATERIAL LIST

中华人民共和国行业标准 标准设计	负压式测量有压设备液面管路连接图(五阀组) PN6.3 HOOK-UP DWG. OF LEVEL MEASUREMENT FOR PRESSURIZED VESSEL BY D/P CELL(5-VALVE MANIFOLD)		HG/T21581-95 HK04-202		
			第 1 张 共 1 张 (总 91 张 第 30 张) 1 OF 1 SHEET (30 OF 91 TOTAL)		
压力等级: RATING: 6.3MPa	管件连接型式: CONN. TYPE:	承插焊接 S.W	序号 NO.	位号 TAG NO.	管道或设备号 PIPE/VESSEL NO.

1		
2		
3		
4		
5		
6		
7		
8		
9		
10		



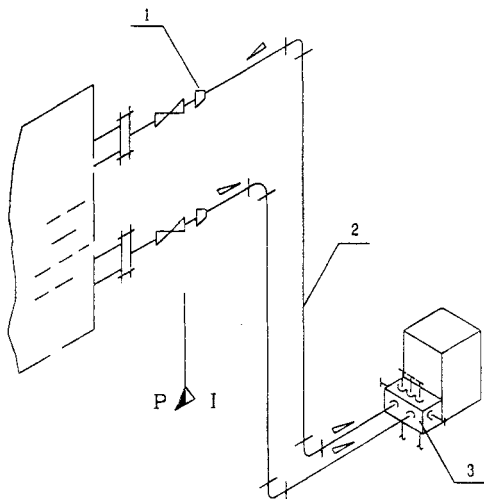
4	FS043 FS053		承插焊管道中间接头 90° S.W 90° ELBOW	PN6.3 $\phi 18$	C.S 0Cr18Ni10Ti		
3	VM503 VM504		五阀组 5-VALVE MANIFOLD	PN16 DN5	C.S 0Cr18Ni10Ti	1	附对焊式接头 $\phi 18$ WITH B.W UNION
2	PL106 PL223	GB8163-87 GB2270-80	无缝钢管 TUBE(SMLS)	$\phi 18 \times 3$	20 0Cr18Ni10Ti		
1	FN541 FN542		承插焊异径度带 S.W REDUCING ADAPTER	PN6.3 $\phi 22/S.W \phi 18$	C.S 0Cr18Ni10Ti	2	
件号 NO.	代码 CODE	图号与标准号 DWG&STD NO.	名称及规格 NAME & SIZE		材料 MATERIAL	数量 QTY	备注 REMARKS

安装材料表

INSTALLATION MATERIAL LIST

中华人民共和国行业标准 标准设计	差压式测量有压设备液面管路连接图(五角组) PN16 HOOK-UP DWG. OF LEVEL MEASUREMENT FOR PRESSURIZED VESSEL BY D/P CELL(5-VALVE MANIFOLD)		HG/T21581-95 HK04-203	
			第 1 张 共 1 张 / 总 91 张 第 31 张 1 OF 1 SHEET / 31 OF 91 TOTAL	

压力等级: RATING: 16MPa	管件连接型式 CONN. TYPE	承插焊连接 S.W	序号 NO.	位号 TAG NO.	管道或设备号 PIPE/VESSEL NO.
			1		
			2		
			3		
			4		
			5		
			6		
			7		
			8		
			9		
			10		



4	FS048 FS058		承插焊弯通中间接头90° S.W 90° ELBOW	PN16	ø18	C.S 0Cr18Ni10Ti		
3	VM503 VM504		五角组 5-VALVE MANIFOLD	PN16	DN5	C.S 0Cr18Ni10Ti	1	附对焊式接头 ø18 WITH B.W UNION
2	PL107 PL224	GB8163-87 GB2270-80	无缝钢管 TUBE(SMLS)		ø18X4	20 0Cr18Ni10Ti		
1	FN546 FN547		承插焊异径短节 B.W REDUCING ADAPTER	PN16	ø22/SW ø18	C.S 0Cr18Ni10Ti	2	
件号 NO.	代号 CODE	图号与标准号 DWG&STD NO.	名称及规格 NAME & SIZE	材料 MATERIAL	数量 Q'TY	备注 REMARKS		

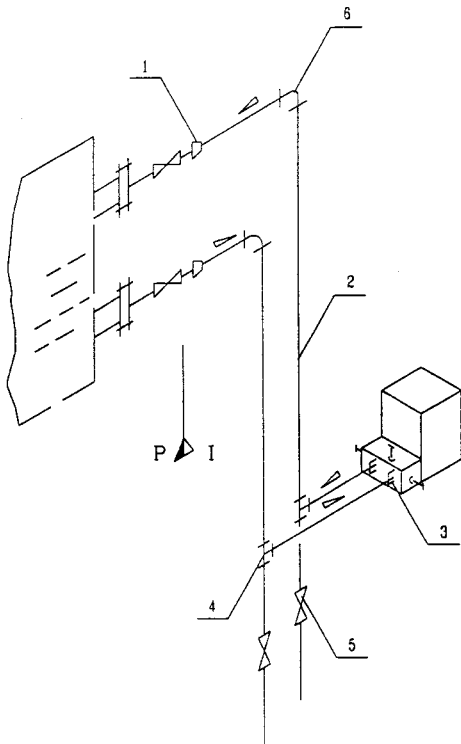
安装材料表

INSTALLATION MATERIAL LIST

中华人民共和国行业标准 标准设计	差压式测量有压设备液面管路连接图(三阀组) PN6.3 HOOK-UP DWG. OF LEVEL MEASUREMENT FOR PRESSURIZED VESSEL BY D/P CELL(3-VALVE MANIFOLD)		HG/T21581-95 HK04-204	
			第 1 张 共 1 张 总 91 张 第 32 张 1 OF 1 SHEET 32 OF 91 TOTAL	

压力等级: RATING: 6.3MPa	管件连接型式: CONN. TYPE: 承插焊连接 S.W	序号 NO.	位号 TAG NO.	管道或设备号 PIPE/VESSEL NO.
-------------------------	-------------------------------------	-----------	---------------	---------------------------

1	
2	
3	
4	
5	
6	
7	
8	
9	
10	



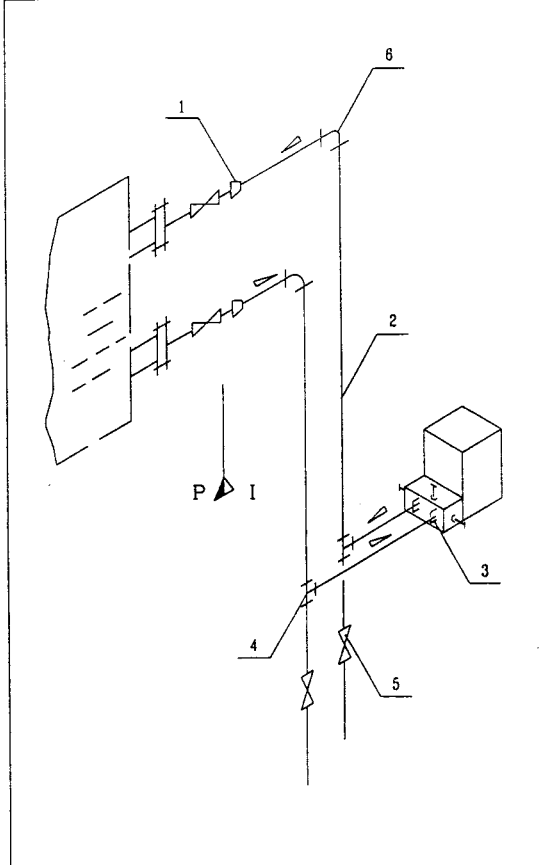
6	FS043 FS053		承插焊弯道中间接头90° S.W 90° ELBOW	PN6.3 $\phi 18$	C.S 0Cr18Ni10Ti		
5	VG631 VG626	Z61H-64	承插焊闸阀 S.W GATE VALVE	PN6.3 DN10	C.S 0Cr18Ni10Ti	2	
4	FS073 FS083		承插焊三通中间接头 S.W TEE	PN6.3 $\phi 18$	C.S 0Cr18Ni10Ti	2	
3	VM303 VM304		三阀组 3-VALVE MANIFOLD	PN16 DN5	C.S 0Cr18Ni10Ti	1	附对焊式接头 $\phi 18$ WITH B.W UNION
2	PL106 PL223	GB8163-87 GB2270-80	无缝钢管 TUBE(SMLS)	$\phi 18 \times 3$	20 0Cr18Ni10Ti		
1	FN541 FN542		承插焊异径短节 S.W REDUCING ADAPTER	PN6.3 $\phi 22/S.W \phi 18$	C.S 0Cr18Ni10Ti	2	
序号 NO.	代码 CODE	图号与标准号 DWG&STD NO.	名称及规格 NAME & SIZE	材料 MATERIAL	数量 Q'TY	备注 REMARKS	

安装材料表

INSTALLATION MATERIAL LIST

中华人民共和国行业标准 标准设计	差压式测量有压设备液面管路连接图(三阀组) PN16 HOOK-UP DWG. OF LEVEL MEASUREMENT FOR PRESSURIZED VESSEL BY D/P CELL(3-VALVE MANIFOLD)		HG/T21581-95 HK04-205	
			第 1 张 共 1 张 总 91 张 第 33 张 1 OF 1 SHEET 33 OF 91 TOTAL	

压力等级: RATING: 16MPa	管件连接型式: CONN. TYPE: 承插焊连接 S.W	序号 NO.	位号 TAG NO.	管道或设备号 PIPE/VESSEL NO.
------------------------	-------------------------------------	-----------	---------------	---------------------------



1		
2		
3		
4		
5		
6		
7		
8		
9		
10		

6	FS048 FS058		承插焊弯头中间接头90° S.W 90° ELBOW	PN16 $\phi$ 18	C.S 0Cr18Ni10Ti		
5	VC641 VC646	Z61H-160	承插焊闸阀 S.W GATE VALVE	PN16 DN10	C.S 0Cr18Ni10Ti	2	
4	FS078 FS088		承插焊三通中间接头 S.W TEE	PN16 $\phi$ 18	C.S 0Cr18Ni10Ti	2	
3	VM303 VM304		三阀组 3-VALVE MANIFOLD	PN16 DN5	C.S 0Cr18Ni10Ti	1	附对焊式接头 $\phi$ 18 WITH B.W UNION
2	PL107 PL224	GB8163-87 GB2270-80	无缝钢管 TUBE(SMLS)	$\phi$ 18X4	20 0Cr18Ni10Ti		
1	FN546 FN547		承插焊异径短节 S.W REDUCING ADAPTER	PN16 $\phi$ 22/SW $\phi$ 18	C.S 0Cr18Ni10Ti	2	
件号 NO.	代码 CODE	图号与标准号 DWG&STD NO.	名称及规格 NAME & SIZE		材料 MATERIAL	数量 Q'TY	备注 REMARKS

安装材料表

INSTALLATION MATERIAL LIST

中华人民共和国行业标准  
标准设计

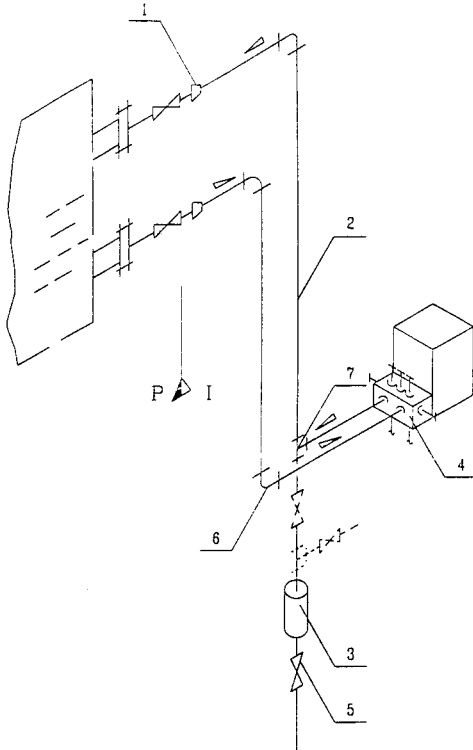
差压式测量有压或负压设备液面管路连接图(五阀组带分离器)PN6.3  
HOOK-UP DWG. OF LEVEL MEASUREMENT FOR PRESSURIZED  
/VACUUM VESSEL BY D/P CELL (5-VALVE MANIFOLD WITH SEPARATOR)

HG/T21581-95 HK04-206

第 1 张 共 1 张 总 91 张 第 34 张  
1 OF 1 SHEET / 34 OF 91 TOTAL

压力等级: 6.3MPa  
RATING: 6.3MPa  
管件连接型式: 承插焊连接  
CONN. TYPE: S.W

序号 NO.	位号 TAG NO.	管道或设备号 PIPE/VESEL NO.
1		
2		
3		
4		
5		
6		
7		
8		
9		
10		



备注

1. 该方案适用于气相液液不多而又能及时排除的情况。
2. 当测量负压时,需增加以虚线表示的两门,三通中间接头,材料表中未计入。

NOTE:

1. THIS CASE IS SUITABLE TO LESS CONDENSATE LIQUID IN GAS SIDE, AND DRAIN SO ON.
2. MEASURING VACUUM, THE VALVE AND TEE INDICATED BY DOTTED LINE IS REQUIRED, AND NOT BE SHOWN IN MATERIAL LIST.

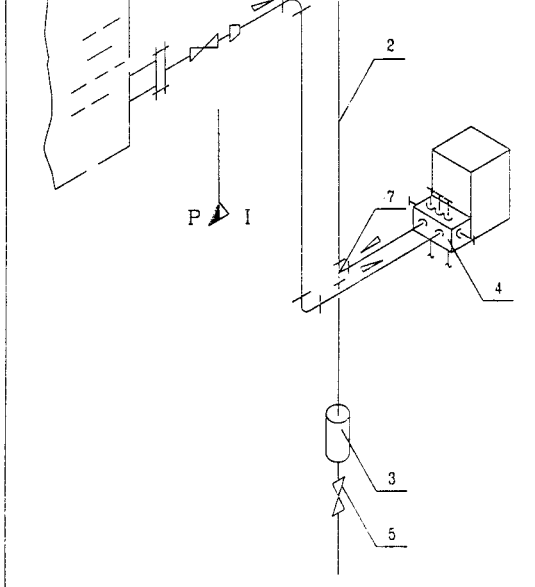
7	FS073 FS083		承插焊三通中间接头 S.W TEE	PN6.3 $\phi 18$	C.S 0Cr18Ni10Ti	1	
6	FS043 FS053		承插焊弯通中间接头 90° S.W 90° ELBOW	PN6.3 $\phi 18$	C.S 0Cr18Ni10Ti		
	VG631 VG636	Z61H-64	承插焊闸阀 S.W GATE VALVE	PN6.3 DN10 $\phi 18$	C.S 0Cr18Ni10Ti	1	
4	VM503 VM504		五阀组 5-VALVE MANIFOLD	PN16 DN5	C.S 0Cr18Ni10Ti	1	附对焊式接头 $\phi 18$ WITH B.W UNION
3	CP015 CP016		分离容器 SEPARATOR	PN6.3 DN100 3x $\phi 18$	20 0Cr18Ni10Ti	1	
2	PL106 PL233	GB8163-87 GB2270-80	无缝钢管 TUBE(SMLS)	$\phi 18 \times 3$	20 0Cr18Ni10Ti		
1	FN541 FN542		承插焊异径短节 S.W REDUCING ADAPTER	PN6.3 $\phi 22/S.W \phi 18$	C.S 0Cr18Ni10Ti	2	
件号 NO.	代号 CODE	图号与标题号 DWG&STD NO.	名称及规格 NAME & SIZE	材料 MATERIAL	数量 QTY	备注 REMARKS	

安装材料表

INSTALLATION MATERIAL LIST

中华人民共和国行业标准 标准设计	差压式测量有压设备旁路管路连接图(五阀组带分离容器)PN16 HOOK-UP DWG. OF LEVEL MEASUREMENT FOR PRESSURIZED VESSEL BY D/P CELL / 5-VALVE MANIFOLD WITH SEPARATOR	HG/T21581-95 HK04-207
压力等级: RATING: 16MPa	管件连接型式: CONN. TYPE: 承插焊连接	图号 NO. 立号 TAG NO. 管道或设备号 PIPE/VESSEL NO.

1		
2		
3		
4		
5		
6		
7		
8		
9		
10		



备注

1. 该方案适用于气相凝液不多而又能及时排除的情况。

NOTE:

1. THIS CASE IS SUITABLE TO LESS CONDENSATE LIQUID IN GAS SIDE, AND DRAIN SO ON.

7	FS078 FS088		承插焊三通中间接头 S.W TEE	PN16 $\phi$ 18	C.S 0Cr18Ni10Ti	1	
6	FS048 FS058		承插焊弯通中间接头90° S.W 90° ELBOW	PN16 $\phi$ 18	C.S 0Cr18Ni10Ti		
5	VG641 VG646	Z61H-160	承插焊闸阀 S.W GATE VALVE	PN16 DN10 $\phi$ 18	C.S 0Cr18Ni10Ti	1	
4	VM501 VM504		五阀组 5-VALVE MANIFOLD	PN16 DN5	C.S 0Cr18Ni10Ti	1	附灯杆式接头 $\phi$ 18 WITH B.W UNION
3	CP023 CP024		分离容器 SEPARATOR	PN16 DN100 3X $\phi$ 18	20 0Cr18Ni10Ti	1	
2	PL107 PL224	GB8163-87 GB2270-80	无缝钢管 TUBE(SMLS)	$\phi$ 18X4	20 0Cr18Ni10Ti		
1	FN546 FN547		承插焊异径管 S.W REDUCING ADAPTER	PN16 $\phi$ 22/S.W $\phi$ 18	C.S 0Cr18Ni10Ti	2	
序号 NO.	代号 CODE	图号与标准号 DWG&STD NO.	名称及规格 NAME & SIZE	材料 MATERIAL	数量 QTY	备注 REMARKS	

安装材料表

INSTALLATION MATERIAL LIST

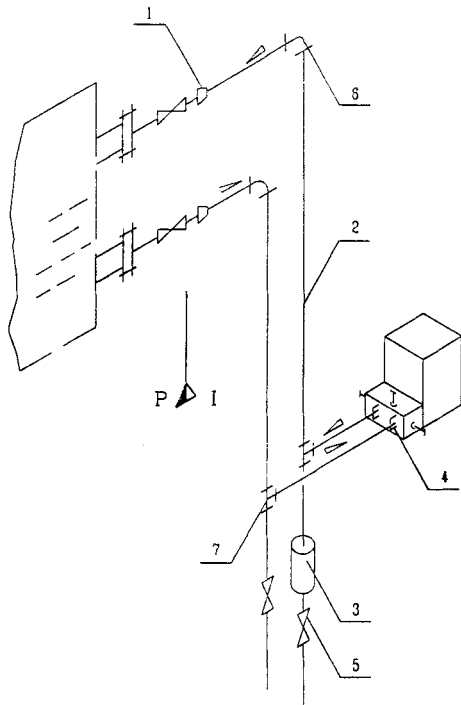


中华人民共和国行业标准 标准设计		差压式测量有压或负压设备液面管路连接图(三通组带分离器等)PN6.3 HOOK-UP DWG. OF LEVEL MEASUREMENT FOR PRESSURIZED /VACUUM VESSEL BY D/P CELL (3-VALVE MANIFOLD WITH SEPARATOR)		HG/T21581-95 HK04-208 第 1 张 共 1 张 总 91 张 第 26 张 1 OF 1 SHEET / 36 OF 91 TOTAL		
压力等级: RATING:	6.3MPa	管件连接型式: CONN. TYPE:	承插焊连接 S.W	序号 NO.	位号 TAG NO.	管道或设备号 PIPE/VESSEL NO.
				1		
				2		
				3		
				4		
				5		
				6		
				7		
				8		
				9		
				10		
				<b>备注</b> 1. 该方案适用于气相凝液不多而又能及时排除的情况。 2. 当测量负压时,需增加以虚线表示的阀门,三通中间接头,材料表中未计入。  <b>NOTE:</b> 1. THIS CASE IS SUITABLE TO LESS CONDENSATE LIQUID IN GAS SIDE, AND DRAIN SO ON. 2. MEASURING VACUUM, THE VALVE AND TEE INDICATED BY DOTTED LINE IS REQUIRED, AND NOT BE SHOWN IN MATERIAL LIST.		
7	FS073 FS083		承插焊三通中间接头 S.W TEE PN6.3 $\phi 18$	C.S OCr18Ni10Ti	2	
6	FS043 FS053		承插焊弯通中间接头90° S.W 90° ELBOW PN6.3 $\phi 18$	C.S OCr18Ni10Ti		
5	VG631 VG636	Z61H-64	承插焊闸阀 S.W GATE VALVE PN6.3 DN10 $\phi 18$	C.S OCr18Ni10Ti	2	
4	VM303 VM304		三通组 3-VALVE MANIFOLD PN16 DN5	C.S OCr18Ni10Ti	1	附对焊式接头 $\phi 18$ WITH B.W UNION
3	CP015 CP016		分离浮球 SEPARATOR PN6.3 DN100 3X $\phi 18$	20 OCr18Ni10Ti	1	
2	PL106 PL222	GB8163-87 GB2270-80	无缝钢管 TUBE(SMLS) $\phi 18 \times 3$	20 OCr18Ni10Ti		
1	FN541 FN542		对焊式异径短节 S.W REDUCING ADAPTER PN6.3 $\phi 22/SW \phi 18$	C.S 3Cr18Ni10Ti	2	
序号 NO.	代号 CODE	图号与标准号 DWG&STD NO.	名称及规格 NAME & SIZE	材料 MATERIAL	数量 Q'TY	备注 REMARKS
安装材料表			INSTALLATION MATERIAL LIST			

中华人民共和国行业标准 标准设计	差压式测量高压设备液面管路连接图(三阀组带分离容器)PN16 HOOK-UP DWG. OF LEVEL MEASUREMENT FOR PRESSURIZED VESSEL BY 3/P CELL (3-VALVE MANIFOLD WITH SEPARATOR)	HG/T21581-95 HK04-209
		第 1 张 共 1 张 总 91 张 第 37 张 1 OF 1 SHEET 37 OF 91 TOTAL

压力等级: RATING: 16MPa	管件连接型式: CONN. TYPE: S.W	承插焊连接 S.W	序号 NO.	位号 TAG NO.	管道或设备号 PIPE/VESSEL NO.
------------------------	----------------------------	--------------	-----------	---------------	---------------------------

1		
2		
3		
4		
5		
6		
7		
8		
9		
10		



备注  
该方案适用于气相凝液不多而又能及时排除的情况。

NOTE:  
THIS CASE IS SUITABLE TO LESS  
CONDENSATE LIQUID IN GAS  
SIDE, AND DRAIN SO ON.

7	FS078 FS088		承插焊三通中间接头 S.W TEE	PN16 $\phi 18$	C.S OCr18Ni10Ti	2	
6	FS048 FS058		承插焊三通中间接头 90° S.W TEE EL90W	PN16 $\phi 18$	C.S OCr18Ni10Ti		
5	VG641 VG646	Z64H-160	承插焊闸阀 S.W GATE VALVE	PN16 DN10 $\phi 18$	C.S OCr18Ni10Ti	2	
4	VM641 VM304		三阀组 3-VALVE MANIFOLD	PN16 DN5	C.S OCr18Ni10Ti	1	相对焊式接头 $\phi 18$ WITH B.W UNION
3	CP023 CP024		分离容器 SEPARATOR	PN16 DN100 3x $\phi 18$	20 OCr18Ni10Ti	1	
2	PL107 PL224	GB9163-87 GB2270-80	无缝钢管 TUBE (SMLS)	$\phi 18 \times 4$	20 OCr18Ni10Ti		
1	FN546 FN547		承插焊异径缩节 S.W REDUCING ADAPTER	PN16 $\phi 22/S.W \phi 18$	C.S OCr18Ni10Ti	2	
序号 NO.	代码 CODE	图号与标准号 DWG&STD NO.	名称及规格 NAME & SIZE		材料 MATERIAL	数量 QTY	备注 REMARKS

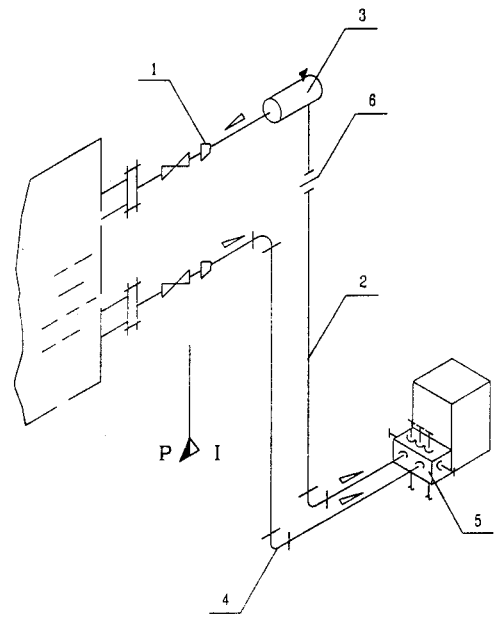
安装材料表

INSTALLATION MATERIAL LIST

中华人民共和国行业标准 标准设计	超压式测量有压设备液面管跨连接图(五阀组带冷凝容器)PN6.3 HOOK-UP DWG. OF LEVEL MEASUREMENT FOR PRESSURIZED VESSEL BY D/P CELL (5-VALVE MANIPOLD WITH CONDENSATE POT)		HG/T21581-95 HK04-210	
			第 1 张 共 1 张 1 OF 1 SHEET	总 91 张 第 38 张 38 OF 91 TOTAL

压力等级: RATING: 6.3MPa	管件连接型式: CONN. TYPE:	承插焊连接 S.W	序号 NO.	位号 TAG NO.	管道或设备号 PIPE/VESSEL NO.
-------------------------	------------------------	--------------	-----------	---------------	---------------------------

1		
2		
3		
4		
5		
6		
7		
8		
9		
10		



6	FF017 FF018		承插焊弯头 S.W UNION	PN6.3	ø18	C.S 0Cr18Ni10Ti	1	
5	VM503 VM504		五阀组 5-VALVE MANIPOLD	PN16	DN5	C.S 0Cr18Ni10Ti	1	附对焊式接头 ø18 WITH B.W UNION
4	FS043 FS053		承插焊弯通中间接头90° S.W 90° ELBOW	PN6.3	ø18	C.S 0Cr18Ni10Ti		
3	CC011 CC012		冷凝容器 CONDENSATE POT	PN6.3	DN100	ø18 20 0Cr18Ni10Ti	1	
2	PL106 PL223	GB8163-87 GB2270-80	无缝钢管 TUBE(SMLS)		ø18x3	20 0Cr18Ni10Ti		
1	FN541 FN542		承插焊异径短节 B.W REDUCING ADAPTER	PN6.3	ø22/S.W	ø18 C.S 0Cr18Ni10Ti	2	

件号 NO.	代码 CODE	图号与标准号 DWG&STD NO.	名称及规格 NAME & SIZE	材料 MATERIAL	数量 QTY	备注 REMARKS
-----------	------------	-----------------------	----------------------	----------------	-----------	---------------

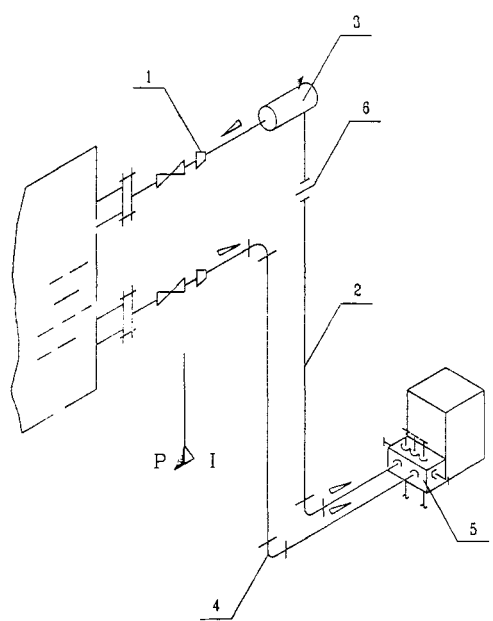
安装材料表

INSTALLATION MATERIAL LIST

中华人民共和国行业标准 标准设计	压力容器有压设备接管管路连接图(五角组带冷凝管等)PN16 HOOK-UP DWG. OF LEVEL MEASUREMENT FOR PRESSURIZED VESSEL BY D/P CELL (5-VALVE MANIFOLD WITH CONDENSATE POT)	HG/T21581-95 HK04-211		
		第 1 张 共 1 张 总 91 张 第 39 张 1 OF 1 SHEET 39 OF 91 TOTAL		

压力等级: RATING: 16MPa	管件连接型式: CONN. TYPE: 承插焊连接 S.W	序号 NO.	位号 TAG NO.	管道或设备号 PIPE/VESSEL NO.
------------------------	-------------------------------------	-----------	---------------	---------------------------

1		
2		
3		
4		
5		
6		
7		
8		
9		
10		



6	FF019 FF020		承插焊管接头 S.W UNIC. 1	PN16	ø18	C.S OCr18Ni10Ti	1	
5	VM503 VM504		五角组 5-VALVE MANIFOLD	PN16	DN5	C.S OCr18Ni10Ti		承插焊式接头 018 WITH B.W UNION
4	FS048 FS058		承插焊管中间接头90° S.W 90° EL30W	PN16	ø18	C.S OCr18Ni10Ti	1	
3	CC013 CC014		冷凝管 CONDENSATE POT	PN16	DN100	ø18	20 OCr18Ni10Ti	1
2	PL107 PL224	GB8163-87 GB2270-80	无缝管 TUBE(SMLS)		ø18x4	20 OCr18Ni10Ti		
1	FN546 FN547		承插焊异径短节 B.W REDUCING ADAPTER	PN16	ø22/SW ø18	C.S OCr18Ni10Ti	2	

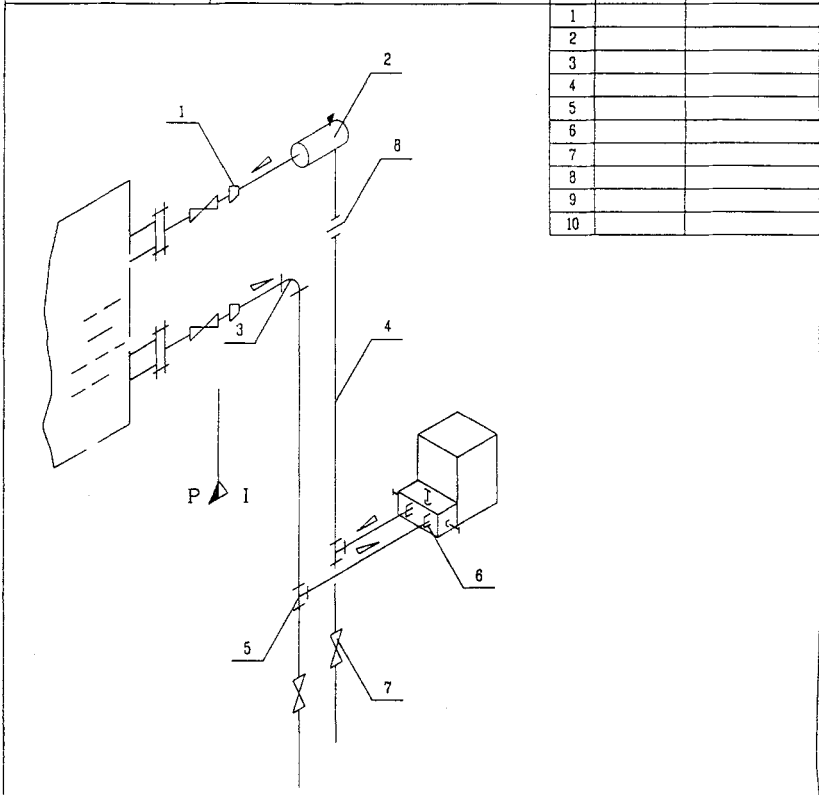
序号 NO.	代码 CODE	图号与标准号 DWG&STD NO.	名称及规格 NAME & SIZE	材料 MATERIAL	数量 Q'TY	备注 REMARKS
-----------	------------	-----------------------	----------------------	----------------	------------	---------------

安装材料表

INSTALLATION MATERIAL LIST

中华人民共和国行业标准 标准设计	差压式测量有压设备液面管路连接图(三阀组带冷凝容器) PN6.3 HOOK-UP DWG. OF LEVEL MEASUREMENT FOR PRESSURIZED VESSEL BY D/P CELL (3-VALVE MANIFOLD WITH CONDENSATE POT)		HG/T21581-95 HK04-212		
	压力等级: RATING: 6.3MPa		附件连接型式: CONN. TYPE: 承插焊连接 S.W	序号 NO.	位号 TAG NO.

第 1 张 共 1 张 总 91 张 第 40 张  
1 OF 1 SHEET 40 OF 91 TOTAL



8	FF017 FF018		承插焊活接头 S.W UNION	PN6.3 $\phi 18$	C.S OCr18Ni10Ti	1	
7	VG631 VG636	Z61H-64	承插焊闸阀 S.W GATE VALVE	PN6.3 DN10 $\phi 18$	C.S OCr18Ni10Ti	2	
6	VM303 VM304		三阀组 3-VALVE MANIFOLD	PN16 DN5	C.S OCr18Ni10Ti	1	射对厚式接头 $\phi 18$ WITH B.W UNION
5	FS073 FS083		承插焊三通中间接头 S.W TEE	PN6.3 $\phi 18$	C.S OCr18Ni10Ti	2	
4	PL106 PL223	GB8163-87 GB2270-80	无缝钢管 TUBE(SMLS)	$\phi 18 \times 3$	20 OCr18Ni10Ti		
3	FS043 FS053		承插焊三通中间接头90° S.W 90° ELBOW	PN6.3 $\phi 18$	C.S OCr18Ni10Ti		
2	CC011 CC012		冷凝容器 CONDENSATE POT	PN6.3 DN100 $\phi 18$	20 OCr18Ni10Ti	1	
1	FN541 FN542		承插焊异径短节 B.W REDUCING ADAPTER	PN6.3 $\phi 22/SW \phi 18$	C.S OCr18Ni10Ti	2	
序号 NO.	代码 CODE	图号与标准号 DWG&STD NO.	名称及规格 NAME & SIZE	材料 MATERIAL	数量 Q'TY	备注 REMARKS	

安装材料表

INSTALLATION MATERIAL LIST

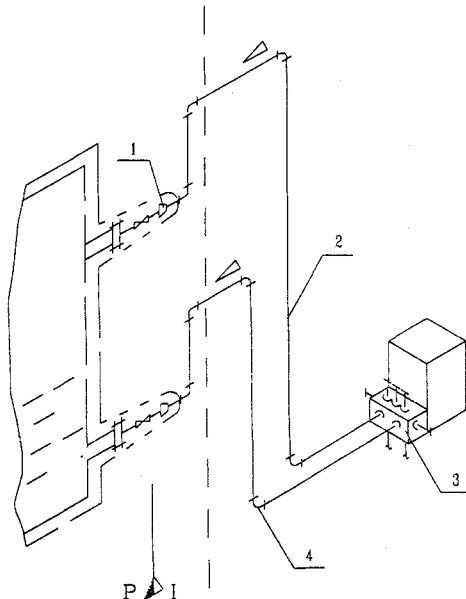
中华人民共和国行业标准 标准设计		差压式测量有压设备液面管路连接图(三阀组带冷凝容器) PN16 HOOK-UP DWG. OF LEVEL MEASUREMENT FOR PRESSURIZED VESSEL BY D/P CELL (3-VALVE MANIFOLD WITH CONDENSATE POT)			HG/T21581-95 HK04-213	
压力等级: RATING: 16MPa		管件连接型式: CONN. TYPE	承插焊接 S.W	序号 NO.	位号 TAG NO.	管道或设备号 PIPE/VESSEL NO.
				1		
				2		
				3		
				4		
				5		
				6		
				7		
				8		
				9		
				10		
8	FF019 FF020		承插焊接头 S.W UNION PN16 $\phi$ 18	C.S 0Cr18Ni10Ti	1	
7	VG841 VG846	Z61H-160	承插焊接闸 S.W GATE VALVE PN16 DN10 $\phi$ 18	C.S 0Cr18Ni10Ti	2	
6	VM303 VM304		三阀组 3-VALVE MANIFOLD PN16 DN5	C.S 0Cr18Ni10Ti	1	一对焊式接头 $\phi$ 18 WITH B.W UNION
5	FS078 FS088		承插焊三通中间接头 S.W TEE PN16 $\phi$ 18	C.S 0Cr18Ni10Ti	2	
4	PL107 PL224	GB8163-87 GB2270-80	无缝钢管 TYBE(SMLS) $\phi$ 18X4	20 0Cr18Ni10Ti		
3	FSD48 FS058		承插焊三通中间接头 90° S.W 90° ELBOW PN16 $\phi$ 18	C.S 0Cr18Ni10Ti		
2	CC013 CC014		冷凝容器 CONDENSATE POT PN16 DN100 $\phi$ 18	20 0Cr18Ni10Ti	1	
1	FN546 FN547		承插焊异径节 B.W REDUCING ADAPTER PN16 $\phi$ 22/SW $\phi$ 18	C.S 0Cr18Ni10Ti	2	
件号 NO.	代码 CODE	图号与标准号 DWG&STD NO.	名称及规格 NAME & SIZE	材料 MATERIAL	数量 QTY	备注 REMARKS

安装材料表

INSTALLATION MATERIAL LIST

中华人民共和国行业标准 标准设计	差压式测量低沸点介质液面管路连接图(五阀组) PN6.3		HG/T21581-95 HK04-214	
	HOOK-UP DWG. OF LEVEL MEASUREMENT FOR LOW BOIL POINT MEDIUM BY D/P CELL(5-VALVE MANIFOLD)		第 1 张 共 1 张 1 OF 1 SHEET	总 91 张 第 42 张 42 OF 91 TOTAL
压力等级: RATING: 6.3MPa	管件连接型式: CONN. TYPE:	承插焊接 S.W	序号 NO.	位号 TAG NO.

1		
2		
3		
4		
5		
6		
7		
8		
9		
10		



备注

1. 常年加伴热保温,使其汽化。
2. 变送器也可安装在取压点上方。

NOTE:

1. STEAM TRACING AND VAPORIZING DURING OPERATING.
2. THE TRANSMITTER CAN BE MOUNTED ABOVE TAP.

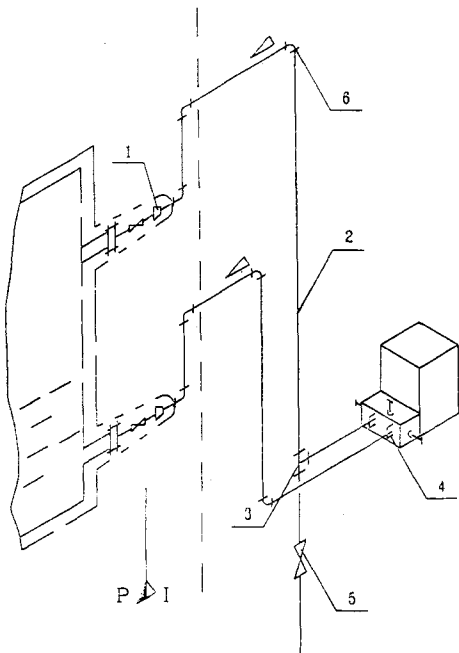
4	FS043 FS053		承插焊弯通中间接头90° S.W 90° ELBOW PN6.3 $\phi 18$	C.S 0Cr18Ni10Ti		
3	VM503 VM504		五阀组 5-VALVE MANIFOLD PN16 DN5	C.S 0Cr18Ni10Ti	1	附对焊式接头 $\phi 18$ WITH B.W UNION
2	PL106 PL223	GB8163-87 GB2270-80	无缝钢管 TUBE(SMLS) $\phi 18 \times 3$	20 0Cr18Ni10Ti		
1	FN541 FN542		承插焊异径短节 B.W REDUCING ADAPTER PN6.3 $\phi 22/S.W \phi 18$	C.S 0Cr18Ni10Ti	2	
件号 NO.	代号 CODE	图号与标准号 DWG&STD NO.	名称及规格 NAME & SIZE	材料 MATERIAL	数量 Q'TY	备注 REMARKS

安装材料表

INSTALLATION MATERIAL LIST

中华人民共和国行业标准 标准设计	老压式测量低沸点介质液面管路连接图(三阀组) PN6.3 HOOK-UP DWG. OF LEVEL MEASUREMENT FOR LOW BOIL POINT MEDIUM BY D/P CELL(3-VALVE MANIFOLD)		HG/T21581-95 HK04-215		
			第 1 张 共 1 张 1 OF 1 SHEET	总 91 页 第 43 页 43 OF 91 TOTAL	
压力等级: RATING: 6.3MPa	管件连接型式: CONN. TYPE:	承插焊连接 S.W	序号 NO.	位号 TAG NO.	管道或设备号 PIPE/VESSEL NO.

1		
2		
3		
4		
5		
6		
7		
8		
9		
10		



备注

1. 常年加伴热保温,使其汽化。
2. 变送器也可安装在取压点上方。

NOTE:

1. STEAM TRACING AND VAPORIZING DURING OPERATING.
2. THE TRANSMITTER CAN BE MOUNTED ABOVE TAP.

6	FS043 FS053		承插焊三通中间接头 90° S.W 90° ELBOW	PN6.3 $\phi 18$	C.S 0Cr18Ni10Ti		
5	YC631 YC636	Z61H-64	承插焊闸阀 S.W GATE VALVE	PN6.3 DN10 $\phi 18$	C.S 0Cr18Ni10Ti	1	
4	VM303 VM304		三阀组 3-VALVE MANIFOLD	PN16 DN5	C.S 0Cr18Ni10Ti	1	将对焊式接头 $\phi 18$ WITH B.J UNION
3	FS073 FS083		承插焊三通中间接头 S.W TEE	PN6.3 $\phi 18$	C.S 0Cr18Ni10Ti	1	
2	PL106 PL223	GB8163-87 GB2270-80	无缝钢管 TUBE (SMLS)	$\phi 18 \times 3$	20 0Cr18Ni10Ti		
1	FN541 FN542		承插焊异径变径 B.W REDUCING ADAPTER	PN6.3 $\phi 22/S.W \phi 18$	C.S 0Cr18Ni10Ti	2	
件号 NO.	代码 CODE	图号与标准号 DWG&STD NO.	名称及规格 NAME & SIZE		材料 MATERIAL	数量 QTY	备注 REMARKS

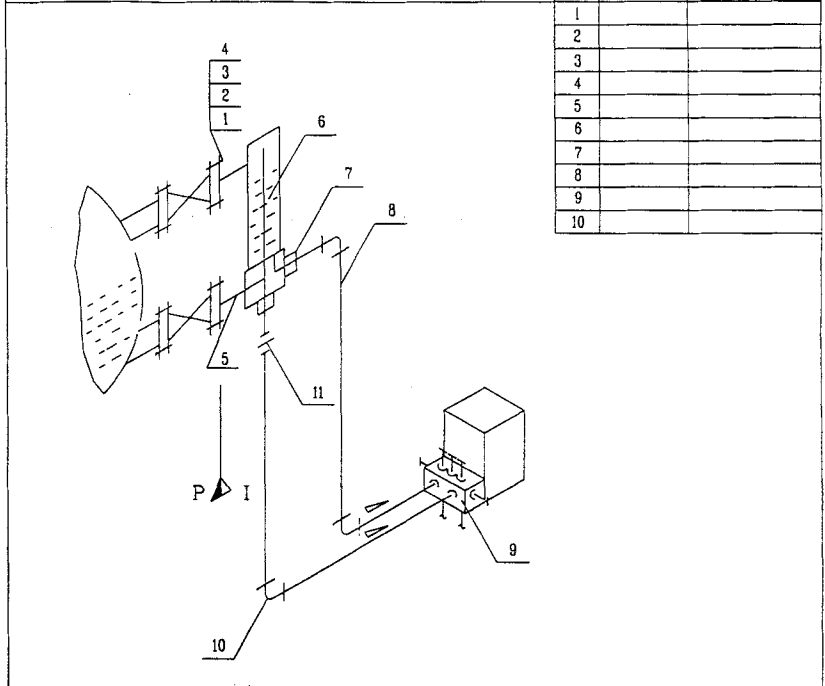
安装材料表

INSTALLATION MATERIAL LIST



中华人民共和国行业标准 标准设计	卧式测量锅炉汽包水位管路连接图(五阀组) PN6.3 HOOK-UP DWG. OF LEVEL MEASUREMENT FOR BOILER DRUM BY D/P CELL (5-VALVE MANIFOLD)		HG/T21581-95 HK04-216	
			第 1 张 共 1 张 总 91 张 第 44 张 1 OF 1 SHEET 44 OF 91 TOTAL	

压力等级: RATING: 6.3MPa	管件连接型式: CONN. TYPE: 承插焊连接 S.W	序号 NO.	位号 TAG NO.	管道或设备号 PIPE/VESSEL NO.
-------------------------	-------------------------------------	-----------	---------------	---------------------------



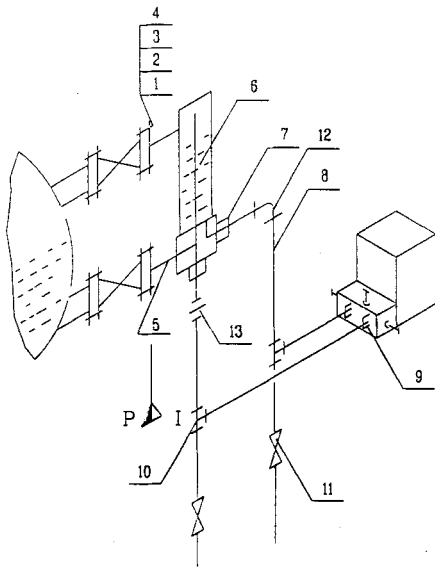
1		
2		
3		
4		
5		
6		
7		
8		
9		
10		

11	FS003		承插焊直通中间接头 S.W UNION	PN6.3	φ18	C.S	1		
10	FS043		承插焊弯通中间接头90° S.W 90° ELBOW	PN6.3	φ18	C.S			
9	VM503		五阀组 5-VALVE MANIFOLD	PN16	DN5	C.S	1	附对焊式接头 φ18 WITH B.W UNION	
8	PL106	GB8163-87	无缝钢管 TUBE (SMLS)		φ18X3		20		
7	FB021		承插焊直通终端接头 S.W END CONNECTOR	PN6.3	φ18/M18X1.5	C.S	2		
6	CB001		双室平衡容器 DOUBLE CHAMBER EQUALIZING POT	L=	PN6.3		20	1	L由工程确定 L DESIGN BY ENGINEERING
5	PL008	GB8163-87	无缝钢管 TUBE (SMLS)		φ25X3		20		
4	UF322	JB82-59	凸面法兰 MALE FACE FLANGE	PN6.3	DN20	C.S	2		
3	UG019	JB87-59	垫片 GASKET		φ50/26 δ=1.5	石棉橡胶	2		
2	UN113	GB8170-86	螺母 NUT		M16		25	16	
1	UB209	GB901-88	双头螺栓 STUD BOLT		M16X95		35	8	
件号 NO.	代码 CODE	图号与标准号 DWG&STD NO.	名称及规格 NAME & SIZE		材料 MATERIAL	数量 QTY	备注 REMARKS		

安装材料表

INSTALLATION MATERIAL LIST

中华人民共和国行业标准 标准设计	垂压式调整锅炉汽包水位管路连接图(三阀组) PN6.3 HOOK-UP DWG. OF LEVEL MEASUREMENT FOR BOILER DRUM BY D/P CELL (3-VALVE MANIFOLD)		HG/T21581-95 HK04-217		
			第 1 张 共 1 张 1 OF 1 SHEET	总 91 张 第 45 张 45 OF 91 TOTAL	
压力等级: RATING: 6.3MPa	零件连接型式: CONN. TYPE:	承插焊连接 S.W	序号 NO.	位号 TAG NO.	管道或设备号 PIPE/VESSEL NO.



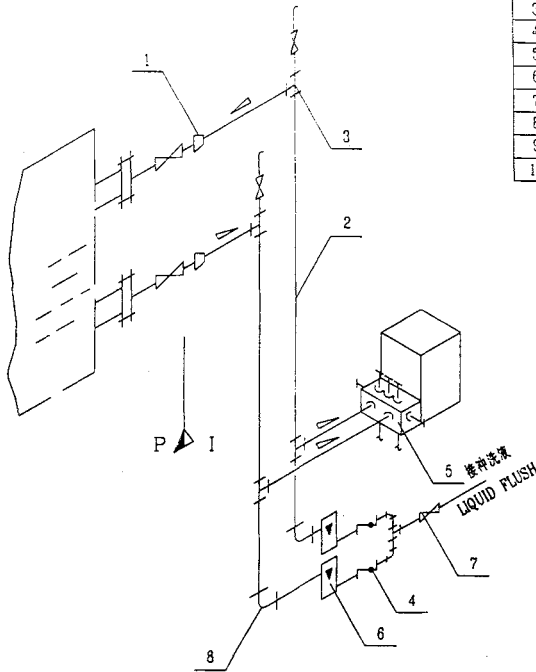
1		
2		
3		
4		
5		
6		
7		
8		
9		
10		

13	FS003		承插焊直通中间接头 S.W UNION	PN6.3 $\phi 18$	C.S	1	
12	FS043		承插焊弯通中间接头 90° S.W 90° ELBOW	PN6.3 $\phi 18$	C.S		
11	VG831	Z81H-64	承插焊闸阀 S.W GATE VALVE	PN6.3 DN10 $\phi 18$	C.S	2	
10	FS073		承插焊三通中间接头 S.W TEE	PN6.3 $\phi 18$	C.S	2	
9	VM303		三阀组 3-VALVE MANIFOLD	PN16 DN6	C.S	1	带对焊式接头 $\phi 18$ WITH 3.W UNION
8	PL106	GB8163-87	无缝钢管 TUBE (SMLS)	$\phi 18 \times 3$	20		
7	FB021		承插焊直通终端接头 S.W END CONNECTOR	PN6.3 $\phi 18 / M18 \times 1.5$	C.S	2	
6	CB001		双室平衡容器 DOUBLE CHAMBER EQUALIZING POT	L= PN6.3	20	1	由工程确定 L DESIGN BY ENGINEERING
5	PL008	GB8163-87	无缝钢管 TUBE (SMLS)	$\phi 25 \times 3$	20		
4	UF322	JB82-59	凸面法兰 MALE FACE FLANGE	PN6.3 DN20	C.S	2	
3	UG019	JB87-59	垫片 GASKET	$\phi 50 / 26$ S=1.5	石棉橡胶	2	
2	UN113	GB6170-86	螺母 NUT	M16	25	16	
1	UB209	GB901-88	双头螺栓 STUD BOLT	M16X95	35	8	
件号 NO.	代号 CODE	图号与标准号 DWG&STD NO.	名称及规格 NAME & SIZE		材料 MATERIAL	数量 Q'TY	备注 REMARKS

安装材料表

INSTALLATION MATERIAL LIST

中华人民共和国行业标准 标准设计	冲液法差压式测量有压设备液面管路连接图(五阀组) PNE.3 HOOK-UP DWG. OF LEVEL MEASUREMENT FOR PRESSURIZED VESSEL WITH LIQUID FLUSH BY D/P CELL (5-VALVE MANIFOLD)		HG/T21581-95 HK04-218		
			第 1 张 共 1 张	总 91 张 第 46 张	1 OF 1 SHEET 46 OF 91 TOTAL
压力等级: RATING: 6.3MPa	管件连接型式: CONN. TYPE:	承插焊连接 S.W	序号 NO.	位号 TAG NO.	管道或设备号 PIPE/VESSEL NO.



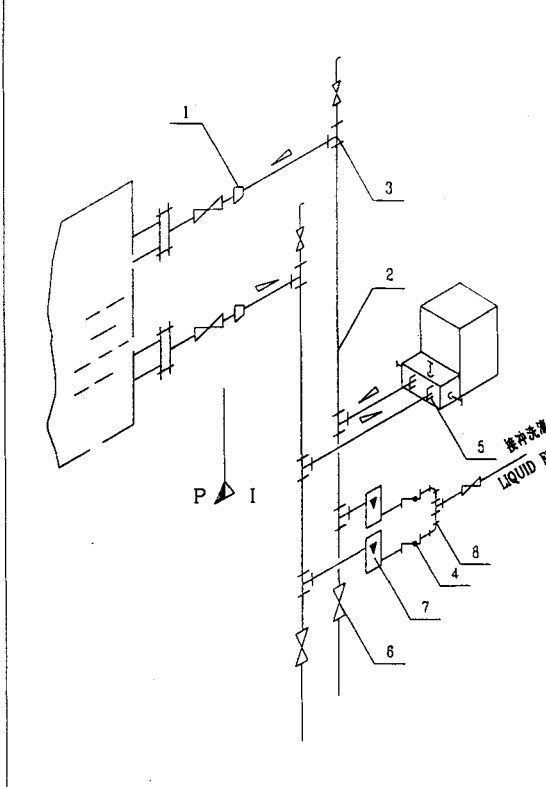
1		
2		
3		
4		
5		
6		
7		
8		
9		
10		

8	FS043 FS053		承插焊短管中间接头 90° S.W 90° ELBOW PNE.3 $\phi$ 18	C.S 0Cr18Ni10Ti		
7	VC631 VC636	Z61H-64	承插焊闸阀 S.W GATE VALVE PNE.3 DN10 $\phi$ 18	C.S 0Cr18Ni10Ti	3	
6			金属转子流量计(带恒差控制器) ROTAMETER WITH CONSTANT D/P RELAY		2	详见仪表数据表 REF. INST. DATA SHEET
5	VM503 VM504		五阀组 5-VALVE MANIFOLD PNE.3 DN5	C.S 0Cr18Ni10Ti	1	附对焊式接头 $\phi$ 18 WITH B.W UNION
4	VC791 VC792		承插焊止回阀 S.W CHECK VALVE PNE.3 DN10 $\phi$ 18	C.S 0Cr18Ni10Ti	2	
3	FS073 FS083		承插焊三通中间接头 S.W TEE PNE.3 $\phi$ 18	C.S 0Cr18Ni10Ti	5	
2	PL106 PL223	GB8163-87 GB2270-80	无缝钢管 TUBE(SMLS) $\phi$ 18X3	20 0Cr18Ni10Ti		
1	FN541 FN542		承插焊异径接头 B.W REDUCING ADAPTER PNE.3 $\phi$ 22/S.W $\phi$ 18	C.S 0Cr18Ni10Ti	2	
序号 NO.	代码 CODE	图号与标准号 DWG&STD NO.	名称及规格 NAME & SIZE	材料 MATERIAL	数量 Q'TY	备注 REMARKS

安装材料表

INSTALLATION MATERIAL LIST

压力等级: RATING: 6.3MPa	管件连接型式: CONN. TYPE: 承插焊连接 S.W	序号 NO.	位号 TAG NO.	管道或设备号 PIPE/VESSEL NO.
-------------------------	-------------------------------------	-----------	---------------	---------------------------



1				
2				
3				
4				
5				
6				
7				
8				
9				
10				

8			金属转子流量计(带恒速控制器) ROTAMETER WITH CONSTANT D/P RELAY		2	详见仪表数据表 REF. INST. DATA SHEET
7	FS043 FS053		承插焊弯通中间接头 S.W 90° ELBOW PN6.3 $\phi$ 18	C.S 0Cr18Ni10Ti		
6	VC831 VC836	Z61H-64	承插焊闸阀 S.W GATE VALVE PN6.3 DN10 $\phi$ 18	C.S 0Cr18Ni10Ti	5	
5	VM303 VM304		三列组 3-VALVE MANIFOLD PN16 DN5	C.S 0Cr18Ni10Ti	1	相对焊式接头 $\phi$ 18 WITH B.W UNION
4	VC791 VC792		承插焊止回阀 S.W CHECK VALVE PN6.3 DN10 $\phi$ 18	C.S 0Cr18Ni10Ti	2	
3	FS073 FS083		承插焊三通中间接头 S.W TEE PN6.3 $\phi$ 18	C.S 0Cr18Ni10Ti	7	
2	PL106 PL223	GB8163-87 GB2270-80	无缝钢管 TUBE(SMLS) $\phi$ 18X3	20 0Cr18Ni10Ti		
1	FN541 FN542		承插焊异径接头 B.W REDUCING ADAPTER PN6.3 $\phi$ 22/S.W $\phi$ 18	C.S 0Cr18Ni10Ti	2	
件号 NO.	代 码 CODE	图号与标准号 DWG&STD NO.	名 称 及 规 格 NAME & SIZE	材 料 MATERIAL	数 量 Q'TY	备 注 REMARKS

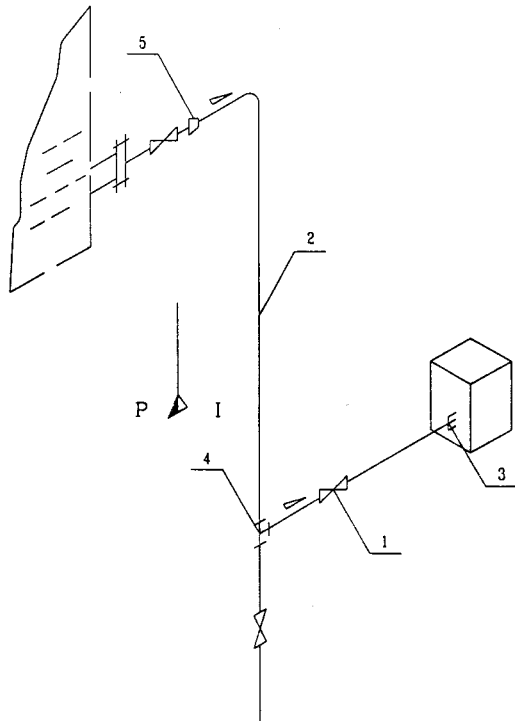
安 装 材 料 表

INSTALLATION MATERIAL LIST

中华人民共和国行业标准 标准设计	差压式测量常压设备液面管路连接图 HOOK-UP DWG. OF LEVEL MEASUREMENT FOR ATMOSPHERIC VESSEL BY D/P CELL		HG/T21581-95 HK04-301	
			第 1 张 共 1 张 总 91 张 第 48 张 1 OF 1 SHEET 48 OF 91 TOTAL	

压力等级: RATING:	管件连接型式: CONN. TYPE:	卡套式连接 F.T	序号 NO.	位号 TAG NO.	管道或设备号 PIPE/VESSEL NO.
------------------	------------------------	--------------	-----------	---------------	---------------------------

1		
2		
3		
4		
5		
6		
7		
8		
9		
10		



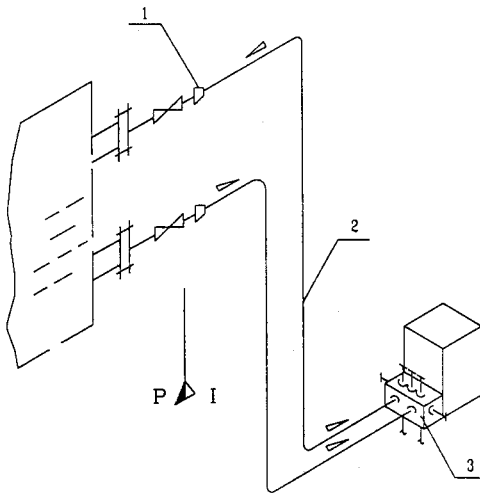
5	FF013 FF014		卡套式异径活接头 F.T REDUCING UNION	PN6.3	ø22/ø14(F.T)	C.S 0Cr18Ni10Ti	1	
4	FC366 FC376		卡套式三通中间接头 F.T TEE	PN6.3	ø14	C.S 0Cr18Ni10Ti	1	
3	FC111 FC131		卡套式直通终端接头 F.T END CONNECTOR	PN6.3	ø14/1/2"NPT	C.S 0Cr18Ni10Ti	1	
2	PL005 PL205	GB8163-87 GB2270-80	无缝钢管 TUBE(SMLS)		ø14X2	20 0Cr18Ni10Ti		
1	VB908 VB909		卡套式球阀 F.T BALL VALVE	PN6.3	DN10 ø14	C.S 0Cr18Ni10Ti	2	
	VC904 VC905	JJ.Y1	卡套式截止阀 F.T CLOBE VALVE	PN6.3	DN5 ø14	C.S 0Cr18Ni10Ti	2	
件号 NO.	代 码 CODE	图号与标准号 DWG&STD NO.	名 称 及 规 格 NAME & SIZE		材 料 MATERIAL	数 量 Q'TY	备 注 REMARKS	

安 装 材 料 表

INSTALLATION MATERIAL LIST

中华人民共和国行业标准 标准设计	差压式测量有压设备液面管路连接图(五阀组) PN6.3 HOOK-UP DWG. OF LEVEL MEASUREMENT FOR PRESSURIZED VESSEL BY D/P CELL(5-VALVE MANIFOLD)		HG/T21581-95 HK04-302	
			第 1 张 共 1 张 总 91 张 第 49 张 1 OF 1 SHEET 49 OF 91 TOTAL	
压力等级: RATING: 6.3MPa	管件连接型式: CONN. TYPE: 卡套式连接 F.T	序号 NO.	位号 TAG NO.	管道或设备号 PIPE/VESSEL NO.

1		
2		
3		
4		
5		
6		
7		
8		
9		
10		

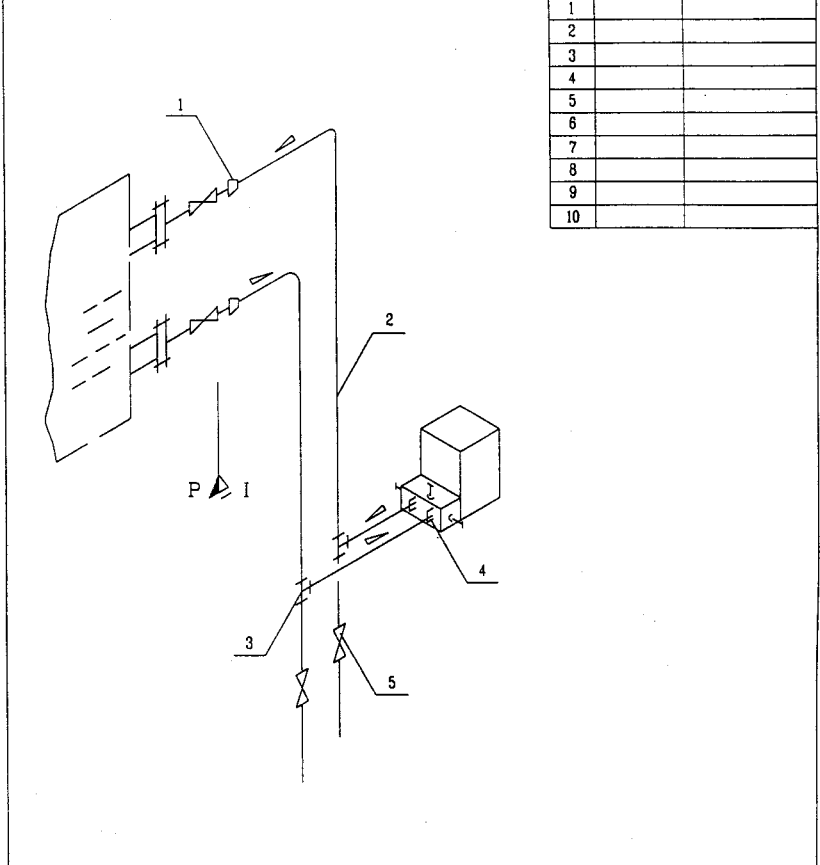


3	VM505 VM506		五阀组 5-VALVE MANIFOLD	PN16 DN5	C.S 0Cr18Ni10Ti	1	附卡套式接头 $\phi 14$ WITH F.T UNION
2	PL005 PL205	GB8163-87 GB2270-80	无缝钢管 TUBE(SMLS)	$\phi 14 \times 2$	20 0Cr18Ni10Ti		
1	FF013 FF014		卡套式异径活接头 F.T REDUCING UNION	PN6.3 $\phi 22 / \phi 14$ (FT)	C.S 0Cr18Ni10Ti	2	
件号 NO.	代号 CODE	图号与标准号 DWG&STD NO.	名称及规格 NAME & SIZE		材料 MATERIAL	数量 Q'TY	备注 REMARKS

安装材料表

INSTALLATION MATERIAL LIST

中华人民共和国行业标准 标准设计	差压式测量有压设备液面管路连接图(三阀组) PN6.3 HOOK-UP DWG. OF LEVEL MEASUREMENT FOR PRESSURIZED VESSEL BY D/P CELL (3-VALVE MANIFOLD)		HG/T21581-95 HK04-303	
			第 1 张 共 1 张	总 91 张 第 50 张 1 OF 1 SHEET 50 OF 91 TOTAL
压力等级: RATING: 6.3MPa	管件连接型式: CONN. TYPE: 卡套式连接 F.T	序号 NO.	位号 TAG NO.	管道或设备号 PIPE/VESSEL NO.

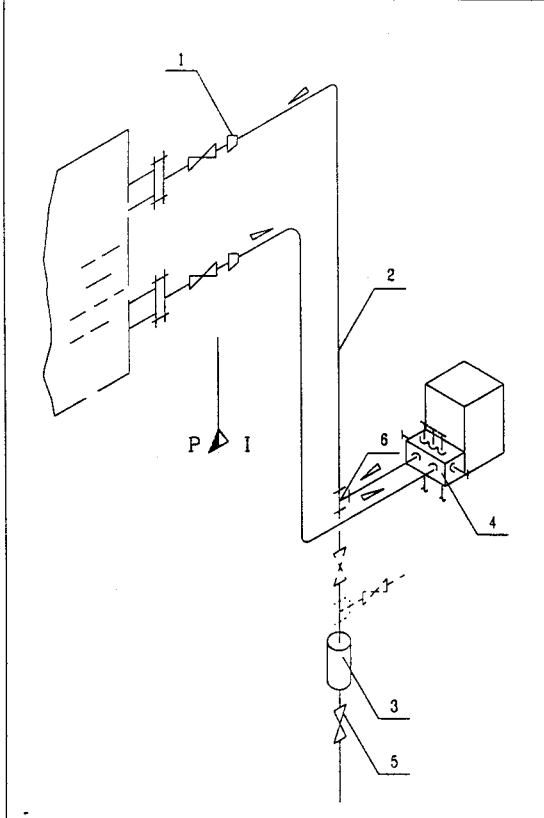


5	VB908		卡套式球阀	PN6.3 DN10 $\phi$ 14	C.S	2	
	VB909		F.T BALL VALVE		0Cr18Ni10Ti		
	VC904	JJ.YI	卡套式截止阀	PN6.3 DN5 $\phi$ 14	C.S	2	
	VC905		F.T GLOBE VALVE		0Cr18Ni10Ti		
4	VM305		三阀组	PN16 DN5	C.S	1	附卡套式接头 $\phi$ 14
	VM306		3-VALVE MANIFOLD		0Cr18Ni10Ti		WITH F.T UNION
3	FC366		卡套式三通中间接头	PN6.3 $\phi$ 14	C.S	2	
	FC376		F.T TEE		0Cr18Ni10Ti		
2	PL005	GB8163-87	无缝钢管	$\phi$ 14X2	20		
	PL205	GB2270-80	TUBE(SMLS)		0Cr18Ni10Ti		
1	FF013		卡套式异径高接头	PN6.3 $\phi$ 22/ $\phi$ 14(F.T)	C.S	2	
	FF014		F.T REDUCING UNION		0Cr18Ni10Ti		
件号 NO.	代码 CODE	图号与标准号 DWG&STD NO.	名称及规格 NAME & SIZE		材料 MATERIAL	数量 Q'TY	备注 REMARKS

安装材料表

INSTALLATION MATERIAL LIST

中华人民共和国行业标准 标准设计		差压式测量有压或负压设备液面管路连接图(五阀组带分离器)PN6.3 HOOK-UP DWG. OF LEVEL MEASUREMENT FOR PRESSURIZED /VACUUM VESSEL BY D/P CELL (5-VALVE MANIFOLD WITH SEPARATOR)		HG/T21581-95 HK04-304	
压力等级: RATING: 6.3MPa		管件连接型式 CONN. TYPE: 卡套式连接 F.T		第 1 张 共 1 张 1 OF 1 SHEET	总 91 张 第 51 张 51 OF 91 TOTAL
序号 NO.	位号 TAG NO.	管道或设备号 PIPE/VESSEL NO.			



1		
2		
3		
4		
5		
6		
7		
8		
9		
10		

备注

1. 该方案适用于气相液液不多而又能及时排除的情况。
2. 当测量负压时,需增加以虚线表示的阀门,三通中间接头,材料表中未计入。

NOTE:

1. THIS CASE IS SUITABLE TO LESS CONDENSATE LIQUID IN GAS SIDE, AND DRAIN SO ON.
2. MEASURING VACUUM, THE VALVE AND TEE INDICATED BY DOTTED LINE IS REQUIRED, AND NOT BE SHOWN IN MATERIAL LIST.

6	FC366 FC376		卡套式三通中间接头 F.T TEE	PN6.3	Ø14	C.S 0Cr18Ni10Ti	1	
5	VB908 VB909		卡套式球阀 F.T BALL VALVE	PN6.3 DN10	Ø14	C.S 0Cr18Ni10Ti	1	
	VC904 VC905	11.Y1	卡套式截止阀 F.T GLOBE VALVE	PN6.3 DN5	Ø14	C.S 0Cr18Ni10Ti	1	
4	VM505 VM506		五阀组 5-VALVE MANIFOLD	PN16 DN5		C.S 0Cr18Ni10Ti	1	附卡套式接头 Ø14 WITH F.T UNION
3	CP013 CP014		分离器 SEPARATOR	PN6.3 DN100	3xØ14(FT)	20 0Cr18Ni10Ti	1	
2	PL005 PL205	GB8163-87 GB2270-80	无缝钢管 TUBE(SMLS)		Ø14X2	20 0Cr18Ni10Ti		
1	FP013 FP014		卡套式异径活接头 F.T REDUCING UNION	PN6.3	Ø22/ Ø14 (FT)	C.S 0Cr18Ni10Ti	2	
件号 NO.	代号 CODE	图号与标准号 DWG&STD NO.	名称及规格 NAME & SIZE		材料 MATERIAL	数量 Q'TY	备注 REMARKS	

安装材料表

INSTALLATION MATERIAL LIST

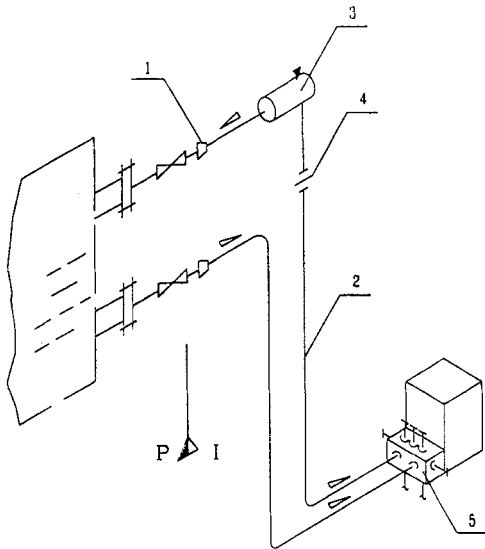


中华人民共和国行业标准 标准设计		差压式测量有压或负压设备液面管连接图(三通组带分离容)PN6.3 HOOK-UP DWG. OF LEVEL MEASUREMENT FOR PRESSURIZED /VACUUM VESSEL BY D/P CELL (3-VALVE MANIFOLD WITH SEPARATOR)			HG/T21581-95 HK04-305		
压力等级: RATING: 6.3MPa		管件连接型式: CONN. TYPE:	卡套式连接 P.T	序号 NO.	位号 TAG NO.	管道或设备号 PIPE/VESSEL NO.	
				1			
				2			
				3			
				4			
				5			
				6			
				7			
				8			
				9			
				10			
				备注			
				1. 该方案适用于气相凝液不多而又能及时排除的情况。			
				2. 当测量负压时,需增加以虚线表示的阀门,三通中间接头,材料表中未计入。			
				NOTE:			
				1. THIS CASE IS SUITABLE TO LESS CONDENSATE LIQUID IN GAS SIDE, AND DRAIN SO ON.			
				2. MEASURING VACUUM, THE VALVE AND TEE INDICATED BY DOTTED LINE IS REQUIRED, AND NOT BE SHOWN IN MATERIAL LIST.			
6	FC366 FC376		卡套式三通中间接头 F.T TEE PN6.3 $\phi$ 14	C.S 0Cr18Ni10Ti	2		
5	VB908 VB909		卡套式球阀 F.T BALL VALVE PN6.3 DN10 $\phi$ 14	C.S 0Cr18Ni10Ti	2		
	VC904 VC905	JJ.YI	卡套式截止阀 F.T GLOBE VALVE PN6.3 DN5 $\phi$ 14	C.S 0Cr18Ni10Ti	2		
4	VM305 VM306		三通组 3-VALVE MANIFOLD PN16 DN5	C.S 0Cr18Ni10Ti	1	附卡套式接头 $\phi$ 14 WITH F.T UNION	
3	CP013 CP014		分离容器 SEPARATOR PN6.3 DN100 3X $\phi$ 14 (FT)	20 0Cr18Ni10Ti	1		
2	PL005 PL205	GB8163-87 GB2270-80	无缝钢管 TUBE (SMLS) $\phi$ 14X2	20 0Cr18Ni10Ti			
1	FP013 FP014		卡套式异径管接头 F.T REDUCING UNION PN6.3 $\phi$ 22/ $\phi$ 14 (FT)	C.S 0Cr18Ni10Ti	2		
序号 NO.	代码 CODE	图号与标准号 DWG&STD NO.	名称及规格 NAME & SIZE	材料 MATERIAL	数量 QTY	备注 REMARKS	
安装材料表			INSTALLATION MATERIAL LIST				

中华人民共和国行业标准 标准设计	急压式测量有压设备液面管路连接图(五阀组带冷凝容器)PN6.3	HG/T21581-95 HK04-306	
	HOOK-UP DWG. OF LEVEL MEASUREMENT FOR PRESSURIZED VESSEL BY D/P CELL (5-VALVE MANIFOLD WITH CONDENSATE POT)	第 1 张 共 1 张   总 91 张 第 53 张 1 OF 1 SHEET   53 OF 91 TOTAL	

压力等级: RATING: 6.3MPa	管件连接型式: CONN. TYPE: 卡套式连接 F.T	序号 NO.	位号 TAG NO.	管道或设备号 PIPE/VESSEL NO.
-------------------------	-------------------------------------	-----------	---------------	---------------------------

1		
2		
3		
4		
5		
6		
7		
8		
9		
10		



5	VM505 VM506		五阀组 5-VALVE MANIFOLD PN16 DN5	C.S 0Cr18Ni10Ti	1	附卡套式接头 $\phi 14$ WITH F.T UNION
4	PC301 PC321		卡套式直通中间接头 F.T UNION PN6.3 $\phi 14$	C.S 0Cr18Ni10Ti	1	
3	CC021 CC022		对焊冷凝容器 B.W CONDENSATE POT PN6.3 DN100 FT $\phi 14$	20 0Cr18Ni10Ti	1	
2	PL005 PL205	GB8163-87 GB2270-80	无缝钢管 TUBE(SMLS) $\phi 14 \times 2$	20 0Cr18Ni10Ti		
1	FF013 FF014		卡套式异径牙接头 F.T REDUCING UNION PN6.3 $\phi 22 / \phi 14$ (FT)	C.S 0Cr18Ni10Ti	2	
件号 NO.	代码 CODE	图号与标准号 DWG&STD NO.	名称及规格 NAME & SIZE	材料 MATERIAL	数量 Q'TY	备注 REMARKS

安装材料表

INSTALLATION MATERIAL LIST

中华人民共和国行业标准  
标准设计

承压式测量有压设备液面管路连接图(三阀组带冷凝容器) PN6.3  
HOOK-UP DWG. OF LEVEL MEASUREMENT FOR PRESSURIZED  
VESSEL BY D/P CELL (3-VALVE MANIFOLD WITH CONDENSATE POT)

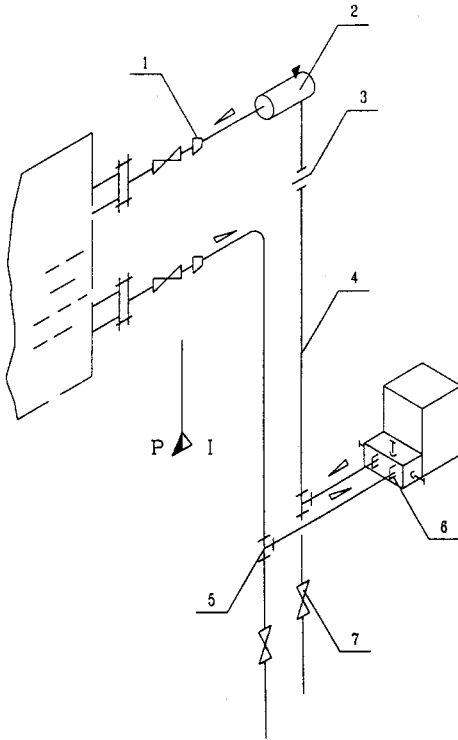
HG/T21581-95 HK04-307

第 1 张 共 1 张 / 总 91 张 第 54 张  
1 OF 1 SHEET 54 OF 91 TOTAL

压力等级:  
RATING: 6.3MPa

管件连接型式:  
CONN. TYPE: 卡套式连接  
F.T

序号 NO.	位号 TAG NO.	管道或设备号 PIPE/VESSEL NO.
1		
2		
3		
4		
5		
6		
7		
8		
9		
10		



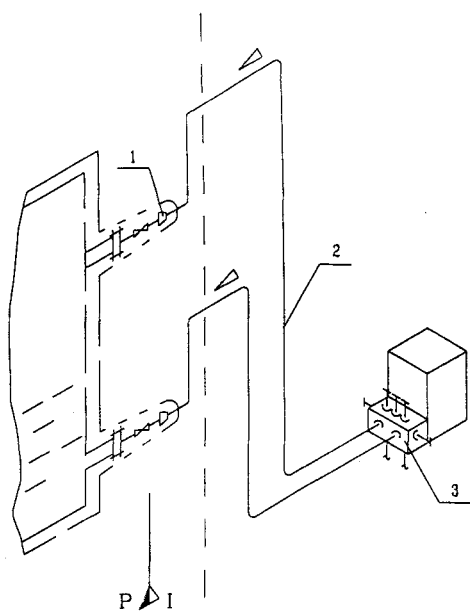
7	VB908 VB909		卡套式球阀 F.T BALL VALVE	PN6.3 DN10 $\phi$ 14	C.S 0Cr18Ni10Ti	2	
	VC904 VC905	JJ.YI	卡套式截止阀 F.T GLOBE VALVE	PN6.3 DN5 $\phi$ 14	C.S 0Cr18Ni10Ti	2	
6	VM305 VM306		三阀组 3-VALVE MANIFOLD	PN16 DN5	C.S 0Cr18Ni10Ti	1	附卡套式接头 $\phi$ 14 WITH F.T UNION
5	FC366 FC376		卡套式三通中间接头 F.T TEE	PN6.3 $\phi$ 14	C.S 0Cr18Ni10Ti	2	
4	PL005 PL205	GB8163-87 GB2270-80	无缝钢管 TUBE(SMLS)	$\phi$ 14X2	20 0Cr18Ni10Ti		
3	FC301 FC321		卡套式直通中间接头 F.T UNION	PN6.3 $\phi$ 14	C.S 0Cr18Ni10Ti	1	
2	CC021 CC022		对焊冷凝容器 B.W CONDENSATE POT	PN6.3 DN100 FT $\phi$ 14	20 0Cr18Ni10Ti	1	
1	FF013 FF014		卡套式异径活接头 F.T REDUCING UNION	PN6.3 $\phi$ 22/ $\phi$ 14 (F.T)	C.S 0Cr18Ni10Ti	2	
件号 NO.	代 码 CODE	图号与标准号 DWG&STD NO.	名 称 及 规 格 NAME & SIZE		材 料 MATERIAL	数 量 Q'TY	备 注 REMARKS

安 装 材 料 表

INSTALLATION MATERIAL LIST

中华人民共和国行业标准 标准设计	差压式测量低沸点介质液面管路连接图(五阀组) PN6.3		HG/T21581-95 HK04-308	
	HOOK-UP DWG. OF LEVEL MEASUREMENT FOR LOW BOIL POINT MEDIUM BY D/P CELL(5-VALVE MANIFOLD)		第 1 张 共 1 张 总 91 张 第 55 张 1 OF 1 SHEET 55 OF 91 TOTAL	
压力等级: RATING: 6.3MPa	管件连接型式: CONN. TYPE:	卡套式连接 F.T	序号 NO.	位号 TAG NO.
				管道或设备号 PIPE/VESSEL NO.

1	
2	
3	
4	
5	
6	
7	
8	
9	
10	



备注

1. 常年加伴热保温,使其汽化。
2. 变送器也可安装在取压点上方。

NOTE:

1. STEAM TRACING AND VAPORIZING DURING OPERATING.
2. THE TRANSMITTER CAN BE MOUNTED ABOVE TAP.

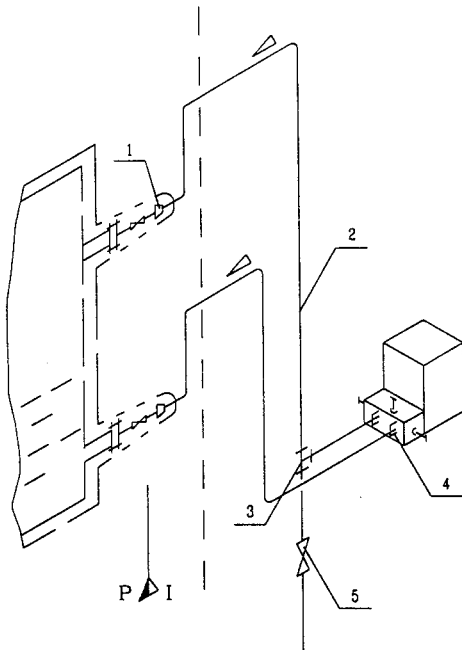
3	VM505 VM506		五阀组 5-VALVE MANIFOLD	PN16 DN5	C.S 0Cr18Ni10Ti	1	附卡套式接头 $\phi 14$ WITH F.T UNION
2	PL005 PL205	GB8163-87 GB2270-80	无缝钢管 TUBE(SMLS)	$\phi 14 \times 2$	20 0Cr18Ni10Ti		
1	FF013 FF014		卡套式异径活接头 F.T REDUCING UNION	PN6.3 $\phi 22 / \phi 14$ (PT)	C.S 0Cr18Ni10Ti	2	
件号 NO.	代 码 CODE	图号与标准号 DWG&STD NO.	名 称 及 规 格 NAME & SIZE		材 料 MATERIAL	数 量 Q'TY	备 注 REMARKS

安 装 材 料 表

INSTALLATION MATERIAL LIST

中华人民共和国行业标准 标准设计	卧式测量低沸点介质液面管路连接图(三阀组) PN6.3			HG/T21581-95 HK04-309		
	HOOK-UP DWG. OF LEVEL MEASUREMENT FOR LOW BOIL POINT MEDIUM BY D/P CELL (3-VALVE MANIFOLD)			第1张 共1张	总91张 第56张	1 OF 1 SHEET 56 OF 91 TOTAL
压力等级: RATING: 6.3MPa	管件连接型式 CONN. TYPE:	卡套式连接 F.T	序号 NO.	位号 TAG NO.	管道或设备号 PIPE/VESSEL NO.	

1		
2		
3		
4		
5		
6		
7		
8		
9		
10		



备注

1. 常年加伴热保温,使其汽化。
2. 变送器也可安装在取压点上方。

NOTE:

1. STEAM TRACING AND VAPORIZING DURING OPERATING.
2. THE TRANSMITTER CAN BE MOUNTED ABOVE TAP.

5	VB908		卡套式球阀	PN6.3 DN10	φ14	C.S	1	
	VB909		F.T BALL VALVE			0Cr18Ni10Ti		
	VC904	JJ.YI	卡套式截止阀	PN6.3 DN5	φ14	C.S	1	
	VC905		F.T GLOBE VALVE			0Cr18Ni10Ti		
4	VM305		三阀组	PN16 DN5		C.S	1	附卡套式接头 φ14
	VM306		3-VALVE MANIFOLD			0Cr18Ni10Ti		WITH F.T UNION
3	FC366		卡套式三通中间接头	PN6.3	φ14	C.S	1	
	FC376		F.T TEE			0Cr18Ni10Ti		
2	PL005	GB8163-87	无缝钢管		φ14X2	20		
	PL205	GB2270-80	TUBE(SMLS)			0Cr18Ni10Ti		
1	FP013		卡套式异径活接头	PN6.3	φ22/φ14 (FT)	C.S	2	
	FP014		F.T REDUCING UNION			0Cr18Ni10Ti		
件号 NO.	代码 CODE	图号与标准号 DWG&STD NO.	名称及规格 NAME & SIZE	材料 MATERIAL	数量 Q'TY	备注 REMARKS		
安装材料表			INSTALLATION MATERIAL LIST					

中华人民共和国行业标准  
标准设计

吹气法测量常压设备液面管路连接图(限流孔板)  
HOOK-UP DWG. OF LEVEL MEASUREMENT FOR  
ATMOSPHERIC VESSEL WITH AIR PURGE (RESTRICTION ORIFICE)

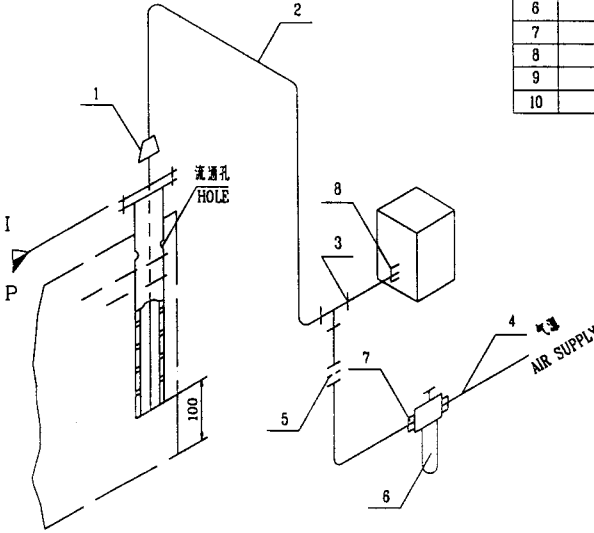
HG/T21581-95 HK04-310

第 1 张 共 1 张 总 91 张 第 57 张  
1 OF 1 SHEET 57 OF 91 TOTAL

压力等级:  
RATING:

管件连接型式:  
CONN. TYPE: 卡套式连接  
F.T

序号 NO.	位号 TAG NO.	管道或设备号 PIPE/VESSEL NO.
1		
2		
3		
4		
5		
6		
7		
8		
9		
10		

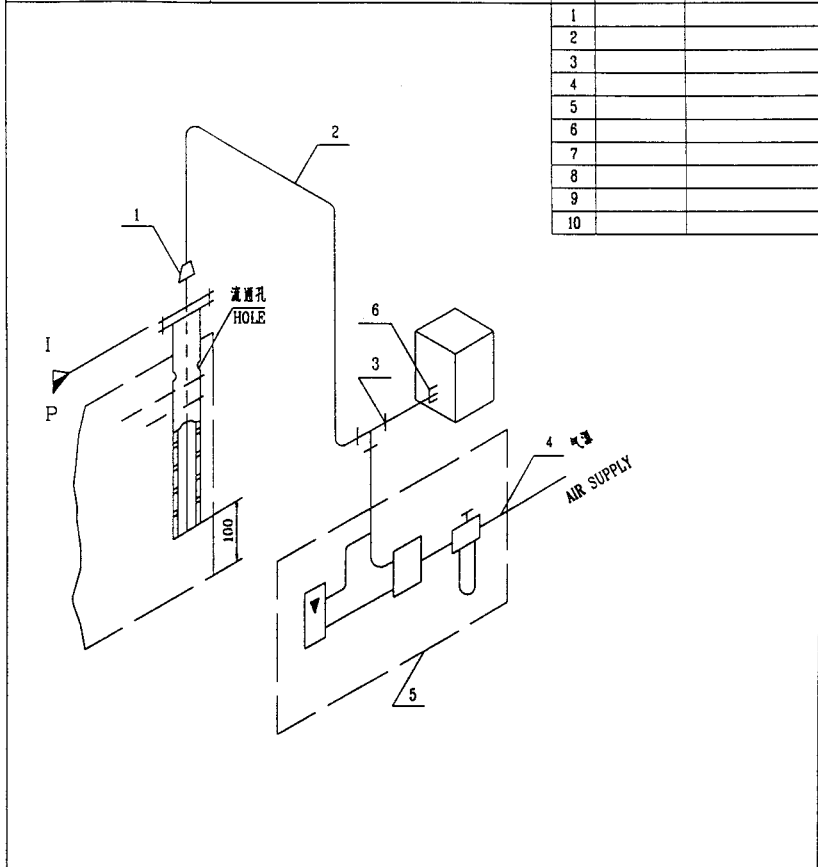


8	FC111 FC131		卡套式直通终端接头 F.T END CONNECTOR	PN6.3 $\phi 14 / 1/2"$ NPT	C.S 0Cr18Ni10Ti	1	
7	FP101		压环式直通终端接头 COMP. END CONNECTOR	M10X1/ $\phi 6$	H62	2	
6			空气过滤减压阀 AIR SET		C.S 0Cr18Ni10Ti	1	详见仪表数据表 REF. INST. DATA SHEET
5			限流孔板 RESTRICTION ORIFICE		C.S 0Cr18Ni10Ti	1	详见仪表数据表 REF. INST. DATA SHEET
4	PC101	GB1527-87	铜管 COPPER TUBE	$\phi 6 \times 1$	T3		
3	FC529 FC530		卡套式异径三通接头 F.T REDUCING TEE	PN6.3 $\phi 14 / \phi 6$	C.S 0Cr18Ni10Ti	1	
2	PL005 PL205	GB8163-87 GB2270-80	无缝铜管 TUBE (SMLS)	$\phi 14 \times 2$	20 0Cr18Ni10Ti		
1	FP013 FP014		卡套式异径活接头 F.T REDUCING UNION	PN6.3 $\phi 22 / \phi 14$ (FT)	C.S 0Cr18Ni10Ti	1	
件号 NO.	代码 CODE	图号与标准号 DWG&STD NO.	名称及规格 NAME & SIZE		材料 MATERIAL	数量 Q'TY	备注 REMARKS

安装材料表

INSTALLATION MATERIAL LIST

中华人民共和国行业标准 标准设计	吹气法测量常压设备液面管路连接图(吹气装置) HOOK-UP DWG. OF LEVEL MEASUREMENT FOR ATMOSPHERIC VESSEL WITH AIR PURGE(AIR BUBBLER)		HG/T21581-95 HK04-311		
			第 1 张 共 1 张 1 OF 1 SHEET	总 91 张 第 58 张 58 OF 91 TOTAL	
压力等级: RATING:	管件连接型式 CONN. TYPE:	卡套式连接 F.T	序号 NO.	位 号 TAG NO.	管道或设备号 PIPE/VESSEL NO.



6	FC111 FC131		卡套式直通终端接头 F.T END CONNECTOR	PN6.3 $\phi 14 / 1/2"$ NPT	C.S 0Cr18Ni10Ti	1	
5			吹气装置 AIR BUBBLER			1	详见仪表数据表 REF. INST. DATA SHEET
4	PC101	GB1527-87	铜管 COPPER TUBE	$\phi 6 \times 1$	T3	1	
3	PC529 PC530		卡套式异径三通接头 F.T REDUCING TEE	PN6.3 $\phi 14 / \phi 6$	C.S 0Cr18Ni10Ti	1	
2	PL005 PL205	GB8163-87 GB2270-80	无缝铜管 TUBE (SMLS)	$\phi 14 \times 2$	20 0Cr18Ni10Ti		
1	FF013 FF014		卡套式异径活接头 F.T REDUCING UNION	PN6.3 $\phi 22 / \phi 14$ (PT)	C.S 0Cr18Ni10Ti	1	
件号 NO.	代 码 CODE	图号与标准号 DWG&STD NO.	名 称 及 规 格 NAME & SIZE		材 料 MATERIAL	数 量 Q'TY	备 注 REMARKS

安 装 材 料 表

INSTALLATION MATERIAL LIST

中华人民共和国行业标准  
标准设计

吹气法测量有压设备液面管路连接图(限流孔板)  
HOOK-UP DWG. OF LEVEL MEASUREMENT FOR  
PRESSURIZED VESSEL WITH AIR PURGE (RESTRICTION ORIFICE)

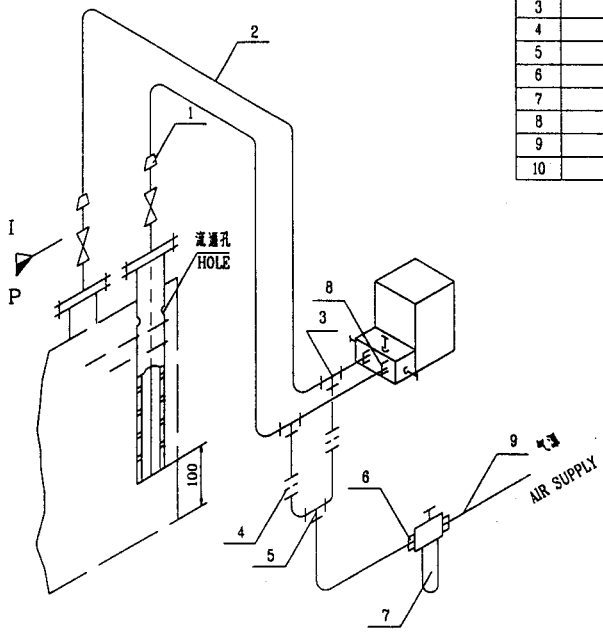
HG/T21581-95 HK04-312

第 1 张 共 1 张 总 91 张 第 59 张  
1 OF 1 SHEET 59 OF 91 TOTAL

压力等级:  
RATING:  $\leq 0.18\text{MPa}$

管件连接型式:  
CONN. TYPE: 卡套式连接  
F.T

序号 NO.	位号 TAG NO.	管道或设备号 PIPE/VESSEL NO.
1		
2		
3		
4		
5		
6		
7		
8		
9		
10		



9	PC101	GB1527-87	铜管 COPPER TUBE	$\phi 6 \times 1$	T3		
8	VM305 VM306		三阀组 3-VALVE MANIFOLD	PN16 DN5	C.S 0Cr18Ni10Ti	1	斯卡套式接头 $\phi 14$ WITH B.W UNION
7			空气过滤器减压 AIR SET			1	详见仪表数据表 REF. INST. DATA SHEET
6	FP101		压环式直通终端接头 COMP. END CONNECTOR	M10X1/ $\phi 6$	H62	2	
5	FP321		压环式三通中间接头 COMP. TEE	$\phi 6$	H62	1	
4			限流孔板 RESTRICTION ORIFICE		C.S 0Cr18Ni10Ti	2	详见仪表数据表 REF. INST. DATA SHEET
3	FC529 FC530		卡套式异径三通接头 F.T REDUCING TEE	PN6.3 $\phi 14/\phi 6$	C.S 0Cr18Ni10Ti	2	
2	PL005 PL205	GB8163-87 GB2270-80	无缝钢管 TUBE (SMLS)	$\phi 14 \times 2$	20 0Cr18Ni10Ti		
1	FP013 FP014		卡套式异径活接头 F.T REDUCING UNION	PN6.3 $\phi 22/\phi 14$ (FT)	C.S 0Cr18Ni10Ti	2	
件号 NO.	代 码 CODE	图号与标准号 DWG&STD NO.	名 称 及 规 格 NAME & SIZE		材 料 MATERIAL	数 量 Q'TY	备 注 REMARKS

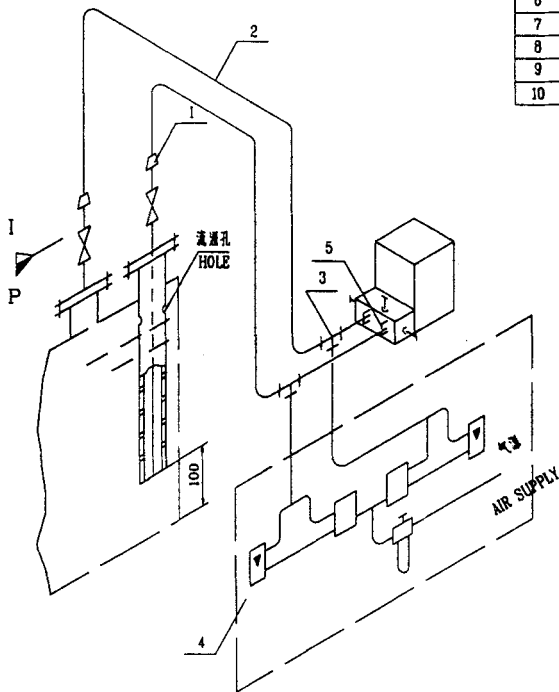
安 装 材 料 表

INSTALLATION MATERIAL LIST



中华人民共和国行业标准 标准设计	吹气法测量有压设备液面管径连接图(吹气装置)		HG/T21581-95 HK04-313		
	HOOK-UP DWG. OF LEVEL MEASUREMENT FOR PRESSURIZED VESSEL WITH AIR PURGE (AIR BUBBER)		第 1 张 共 1 张 1 OF 1 SHEET	总 91 张 第 60 张 60 OF 91 TOTAL	
压力等级: RATING: $\leq 0.16\text{MPa}$	管件连接型式 CONN. TYPE:	卡套式连接 F.T	序号 NO.	位号 TAG NO.	管道或设备号 PIPE/VESSEL NO.

1		
2		
3		
4		
5		
6		
7		
8		
9		
10		



5	VM305 VM306		三角型 3-VALVE MANIFOLD	PN16 DN5	C.S 0Cr18Ni10Ti	1	附卡套式接头 $\phi 14$ WITH B.W UNION
4			吹气装置 AIR BUBBER			1	详见仪表数据表 REF. INST. DATA SHEET
3	PC529 PC530		卡套式异径三通接头 F.T REDUCING TEE	PN6.3 $\phi 14/\phi 6$	C.S 0Cr18Ni10Ti	2	
2	PL005 PL205	GB8163-87 GB2270-80	无缝钢管 TUBE (SMLS)	$\phi 14 \times 2$	20 0Cr18Ni10Ti		
1	FF013 FF014		卡套式异径活接头 F.T REDUCING UNION	PN6.3 $\phi 22/\phi 14$ (FT)	C.S 0Cr18Ni10Ti	2	
序号 NO.	代码 CODE	图号与标准号 DWG&STD NO.	名称及规格 NAME & SIZE	材料 MATERIAL	数量 Q'TY	备注 REMARKS	

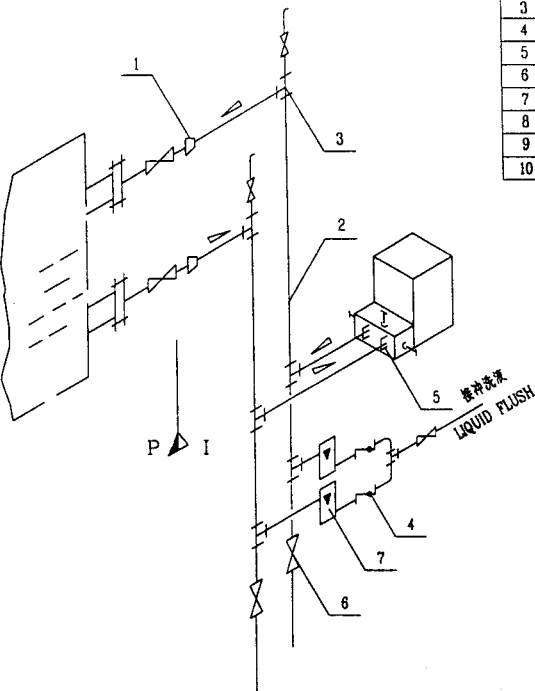
安装材料表

INSTALLATION MATERIAL LIST

中华人民共和国行业标准 标准设计		冲液法差压式测量有压设备液面管路连接图(五角组) PN6.3 HOOK-UP DWG. OF LEVEL MEASUREMENT FOR PRESSURIZED VESSEL WITH LIQUID FLUSH BY D/P CELL (5-VALVE MANIFOLD)			HG/T21581-95 HK04-314		
压力等级: RATING: 6.3MPa		管件连接型式: CONN. TYPE:	卡套式连接 F.T	序号 NO.	位号 TAG NO.	管道或设备号 PIPE/VESSEL NO.	
				1			
				2			
				3			
				4			
				5			
				6			
				7			
				8			
				9			
				10			
7	VB908 VB909		卡套式球阀 F.T BALL VALVE	PN6.3 DN10 $\phi$ 14	C.S 0Cr18Ni10Ti	3	
	VC904 VC905	JJ.YI	卡套式截止阀 F.T GLOBE VALVE	PN6.3 DN5 $\phi$ 14	C.S 0Cr18Ni10Ti	3	
6			金属转子流量计(带恒差控制器) ROTAMETER (WITH CONSTANT D/P RELAY)			2	详见仪表数据表 REF. INST. DATA SHEET
5	VM505 VM506		五角组 5-VALVE MANIFOLD	PN16 DN5	C.S 0Cr18Ni10Ti	1	附卡套式接头 $\phi$ 14 WITH F.T UNION
4	VC799 VC800		卡套式止回阀 F.T CHECK VALVE	PN6.3 DN10 $\phi$ 14	C.S 0Cr18Ni10Ti	2	
3	FC366 FC376		卡套式三通中间接头 F.T TEE	PN6.3 $\phi$ 14	C.S 0Cr18Ni10Ti	5	
2	PL005 PL205	GB8163-87 GB2270-80	无缝钢管 TUBE(SMLS)	$\phi$ 14X2	20 0Cr18Ni10Ti		
1	FF013 FF014		卡套式异径活接头 F.T REDUCING UNION	PN6.3 $\phi$ 22/ $\phi$ 14 (FT)	C.S 0Cr18Ni10Ti	2	
件号 NO.	代号 CODE	图号与标准号 DWG&STD NO.	名称及规格 NAME & SIZE		材料 MATERIAL	数量 QTY	备注 REMARKS
安装材料表				INSTALLATION MATERIAL LIST			

中华人民共和国行业标准 标准设计	冲液法差压式测量有压设备液面管路连接图(三阀组) PN6.3 HOOK-UP DWG. OF LEVEL MEASUREMENT FOR PRESSURIZED VESSEL WITH LIQUID FLUSH BY D/P CELL (3-VALVE MANIFOLD)		HG/T21581-95 HK04-315		
			第 1 张 共 1 张	总 91 张 第 62 张 1 OF 1 SHEET 62 OF 91 TOTAL	
压力等级: RATING: 6.3MPa	管件连接型式: CONN. TYPE:	卡套式连接 F.T	序号 NO.	位 号 TAG NO.	管道或设备号 PIPE/VESSEL NO.

1		
2		
3		
4		
5		
6		
7		
8		
9		
10		



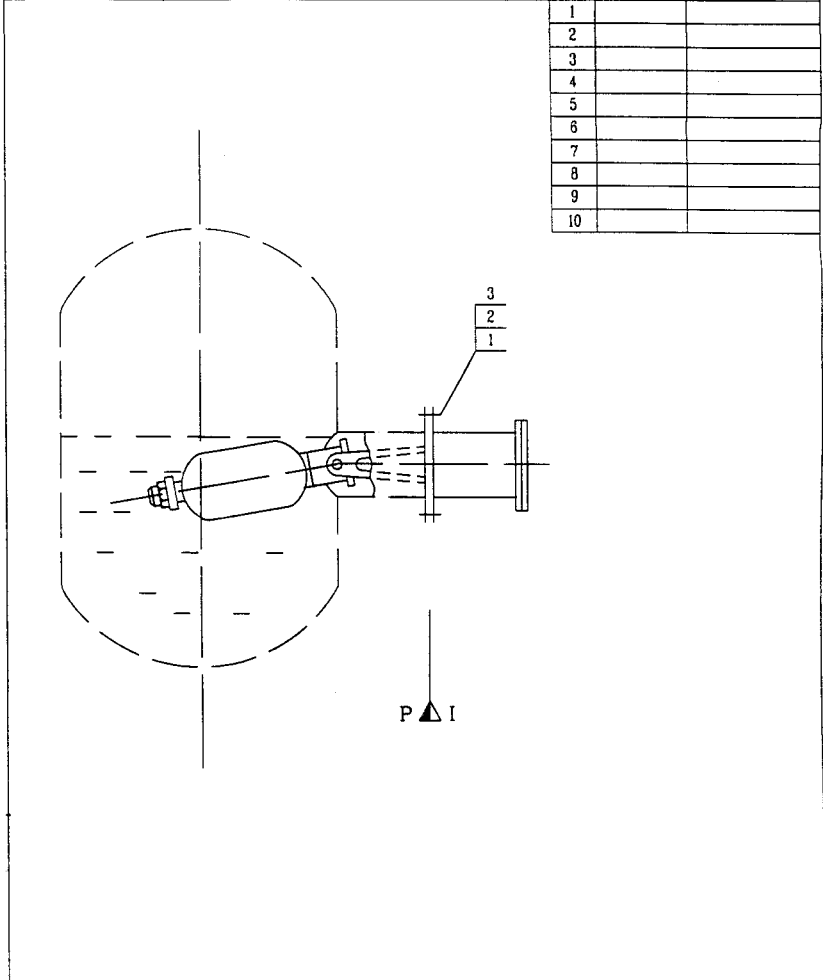
7			金属转子流量计(带恒差控制器) ROTAMETER (WITH CONSTANT D/P RELAY)		2	详见仪表数据表 REF. INST. DATA SHEET
6	VB908 VB909		卡套式球阀 F.T BALL VALVE	PN6.3 DN10 $\phi 14$	C.S 0Cr18Ni10Ti	5
	VC904 VC905	JJ.YI	卡套式截止阀 F.T GLOBE VALVE	PN6.3 DN5 $\phi 14$	C.S 0Cr18Ni10Ti	5
5	VM305 VM306		三阀组 3-VALVE MANIFOLD	PN16 DN5	C.S 0Cr18Ni10Ti	1 附卡套式接头 $\phi 14$ WITH F.T UNION
4	VC799 VC800		卡套式止回阀 F.T CHECK VALVE	PN6.3 DN10 $\phi 14$	C.S 0Cr18Ni10Ti	2
3	FC366 FC376		卡套式三通中间接头 F.T TEE	PN6.3 $\phi 14$	C.S 0Cr18Ni10Ti	7
2	PI005 PI205	GBB163-87 GB2270-80	无缝铜管 TUBE(SMLS)	$\phi 14 \times 2$	20 0Cr18Ni10Ti	
1	FF013 FF014		卡套式异径活接头 F.T REDUCING UNION	PN6.3 $\phi 22 / \phi 14$ (F.T)	C.S 0Cr18Ni10Ti	2
件号 NO.	代 码 CODE	图号与标准号 DWG&STD NO.	名 称 及 规 格 NAME & SIZE	材 料 MATERIAL	数 量 QTY	备 注 REMARKS

安 装 材 料 表

INSTALLATION MATERIAL LIST

中华人民共和国行业标准 标准设计	浮球液位控制器在设备上安装图(内装) INSTL. DWG. OF BALL FLOAT LEVEL CONTROLLER ON VESSEL ( INSIDE )	HG/T21581-95 HK04-401	
		第 1 张 共 1 张 1 OF 1 SHEET	总 91 张 第 63 张 63 OF 91 TOTAL

压力等级: RATING:	管件连接型式: CONN. TYPE:	序号 NO.	位号 TAG NO.	管道或设备号 PIPE/VESSEL NO.
------------------	------------------------	-----------	---------------	---------------------------



1		
2		
3		
4		
5		
6		
7		
8		
9		
10		

3			垫片 GASKET	∅ 6		1	
2		GB6170-86	螺母 NUT	M			
1		GB5782-86	螺栓 BOLT	M			
序号 NO.	代 码 CODE	图号与标准号 DWG&STD NO.	名 称 及 规 格 NAME & SIZE		材 料 MATERIAL	数 量 Q'TY	备 注 REMARKS

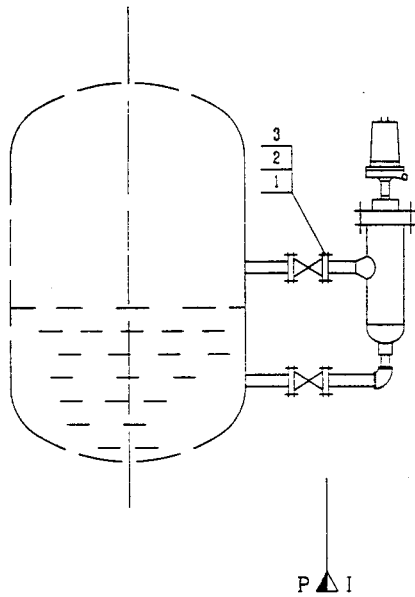
安 装 材 料 表

INSTALLATION MATERIAL LIST

中华人民共和国行业标准 标准设计		浮球/浮筒液位控制器在设备上安装图(外装,带排液) INSTL. DWG. OF BALL FLOAT/DISPLACEMENT LEVEL CONTROLLER ON VESSEL (OUTSIDE, WITH DRAIN)			HG/T21581-95 HK04-402		
压力等级: RATING:		附件连接型式: CONN. TYPE:			序号 NO.	位号 TAG NO.	管道及设备号 PIPE/VESSEL NO.
		1					
		2					
		3					
		4					
		5					
		6					
		7					
		8					
		9					
		10					
5			螺纹球阀 THREAD BALL VALVE	PN	DN	1	
4			短节 NIPPLE	ZG	L=70	1	
3			垫片 GASKET	φ	5	2	
2	G86170-86		螺母 NUT	M			
1	G85782-86		螺栓 BOLT	M			
序号 NO.	代码 CODE	图号与标准号 DWG&STD NO.	名称及规格 NAME & SIZE		材料 MATERIAL	数量 Q'TY	备注 REMARKS
安装材料表				INSTALLATION MATERIAL LIST			

中华人民共和国行业标准 标准设计	浮球/浮筒液位控制器在设备上安装图(外装,无排液) INSTL DWG. OF BALL FLOAT/DISPLACEMENT LEVEL CONTROLLER ON VESSEL (OUTSIDE, WITHOUT DRAIN)	HG/T21581-95 HK04-403		
		第 1 张 共 1 张   总 91 张 第 65 张 1 OF 1 SHEET   65 OF 91 TOTAL		
压力等级: RATING:	管件连接型式: CONN. TYPE:	序号 NO.	位号 TAG NO.	管道或设备号 PIPE/VESSEL NO.

1		
2		
3		
4		
5		
6		
7		
8		
9		
10		

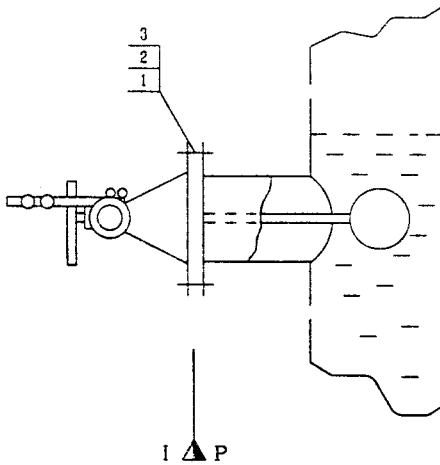


3			垫片 GASKET	φ 8		2	
2		GB6170-86	螺母 NUT	M			
1		GB5782-86	螺栓 BOLT	M			
序号 NO.	代码 CODE	图号与标准号 DWG&STD NO.	名称及规格 NAME & SIZE		材料 MATERIAL	数量 Q'TY	备注 REMARKS

安装材料表

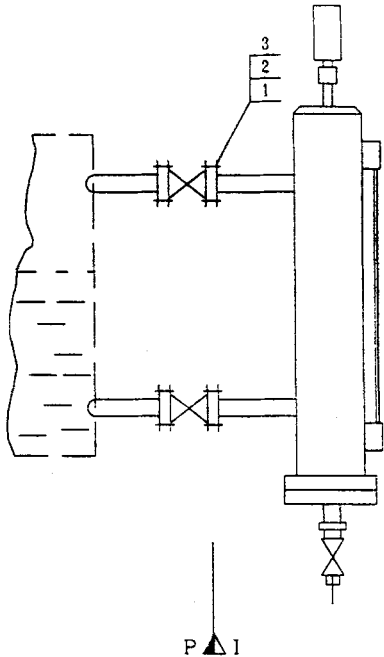
INSTALLATION MATERIAL LIST

中华人民共和国行业标准 标准设计	UQQ气动, UQD电动浮球液位计在设备上安装图 INSTL. DWG. OF UQQ (PNEUMATIC, UQD (ELECTRIC) BALL FLOAT LEVEL METER ON VESSEL		HG/T21581-95 HK04-404	
			第 1 张 共 1 张 1 OF 1 SHEET	总 91 张 第 66 张 66 OF 91 TOTAL
压力等级: RATING:	管件连接型式: CONN. TYPE:	序号 NO.	位号 TAG NO.	管道或设备号 PIPE/VESSEL NO.
		1		
		2		
		3		
		4		
		5		
		6		
		7		
		8		
		9		
		10		



3			垫片 GASKET	∅ 6		2	
2		GB6170-86	螺母 NUT	M			
1		GB5782-86	螺栓 BOLT	M			
件号 NO.	代码 CODE	图号与标准号 DWG&STD NO.	名称及规格 NAME & SIZE		材料 MATERIAL	数量 QTY	备注 REMARKS
安 装 材 料 表			I N S T A L L A T I O N M A T E R I A L L I S T				

压力等级: RATING:	管件连接型式: CONN. TYPE:	序号 NO.	位号 TAG NO.	管道或设备号 PIPE/VESSEL NO.
		1		
		2		
		3		
		4		
		5		
		6		
		7		
		8		
		9		
		10		



3			垫片 GASKET	φ 5	2		
2		GB6170-86	螺母 NUT	M			
1		GB5782-86	螺栓 BOLT	M			
件号 NO.	代 码 CODE	图号与标准号 DWG&STD NO.	名称及规格 NAME & SIZE		材 料 MATERIAL	数 量 Q'TY	备 注 REMARKS

安 装 材 料 表                      I N S T A L L A T I O N   M A T E R I A L   L I S T



中华人民共和国行业标准  
标准设计

外浮筒液位计在设备上安装图(侧-侧式)  
INSTL. DWG. OF DISPLACEMENT LEVELMETER  
ON VESSEL (SIDE-SIDE)

HG/T21581-95 HK04-406

第 1 张 共 1 张 第 91 页 第 68 张  
1 OF 1 SHEET/68 OF 91 TOTAL

压力等级:  
RATING:

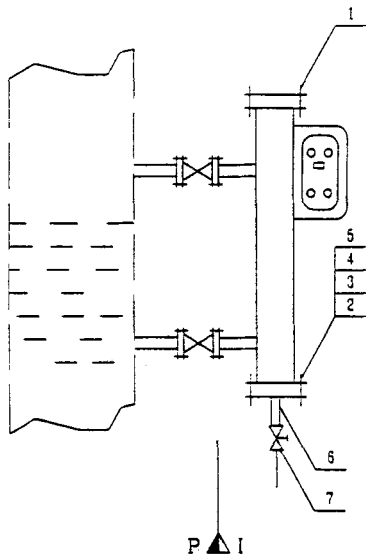
管件连接型式:  
CONN. TYPE:

序号  
NO.

位号  
TAG NO.

管道及设备号  
PIPE/VESSEL NO.

1		
2		
3		
4		
5		
6		
7		
8		
9		
10		

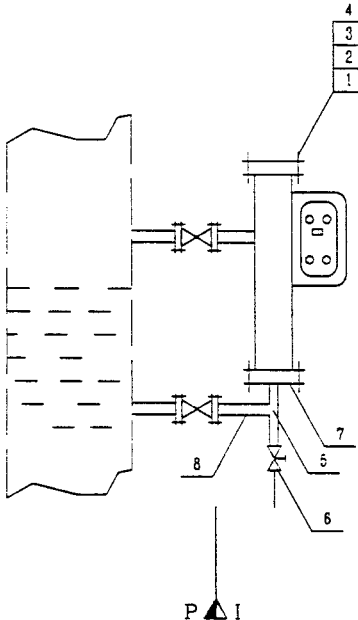


7			螺纹球阀 THREAD BALL VALVE	PN	DN		1	
6			短节 NIPPLE	ZG	L		1	
5			法兰 FLANGE	PN	DN		1	
4			垫片 GASKET	φ	δ		4	
3		GB6170-86	螺母 NUT	M				
2		GB5782-86	螺栓 BOLT	M				
1		JB86-59	法兰盖 BLIND FLANGE	PN	DN			
序号 NO.	代号 CODE	图号与标准号 DWG&STD NO.	名称及规格 NAME & SIZE		材料 MATERIAL	数量 QTY	备注 REMARKS	

安装材料表

INSTALLATION MATERIAL LIST

压力等级: RATING:	管件连接型式: CONN. TYPE:	序号 NO.	位号 TAG NO.	管道或设备号 PIPE/VESSEL NO.
------------------	------------------------	-----------	---------------	---------------------------



1		
2		
3		
4		
5		
6		
7		
8		
9		
10		

8	GB8163-87 GB2270-80	无缝钢管 TUBE (SMLS)	φ				
7		法兰 FLANGE	PN	DN		2	
6		螺纹球阀 THREAD BALL VALVE	PN	DN		1	
5		三通 TEE				1	
4		垫片 GASKET	φ	φ		4	
3	GB6170-86	螺母 NUT	M				
2	GB5782-86	螺栓 BOLT	M				
1	JB86-59	法兰盖 BLIND FLANGE	PN	DN		1	

件号 NO.	代码 CODE	图号与标准号 DWG&STD NO.	名称及规格 NAME & SIZE	材料 MATERIAL	数量 Q'TY	备注 REMARKS
-----------	------------	-----------------------	----------------------	----------------	------------	---------------

安装材料表

INSTALLATION MATERIAL LIST

中华人民共和国行业标准  
标准设计

外浮筒液位计顶装式(顶-底式)  
INSTL. DWG. OF DISPLACEMENT LEVELMETER  
ON VESSEL (TOP-BOTTOM)

HG/T21581-95 HK04-408

第 1 张 共 1 张 第 91 页 第 70 页  
1 OF 1 SHEET / 70 OF 91 TOTAL

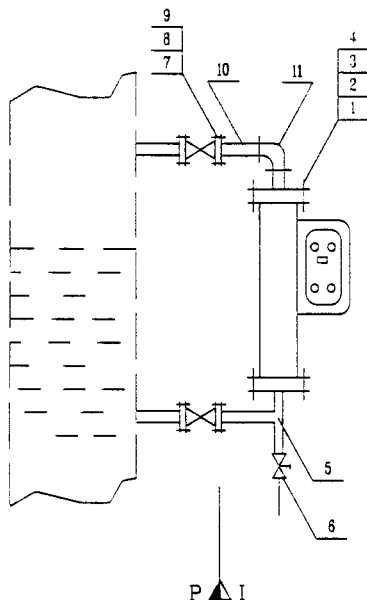
压力等级:  
RATING:

管件连接型式:  
CONN. TYPE:

序号  
NO.

位号  
TAG NO.

管道或设备号  
PIPE/VESSEL NO.



1		
2		
3		
4		
5		
6		
7		
8		
9		
10		

11			无缝弯头90° SEAMLESS ELBOW			1	
10		GB8163-87 GB2270-80	无缝直管 PIPE(SMLS)				
9			垫片 GASKET	φ	6	2	
8		GB6170-86	螺母 NUT	M			
7		GB5782-86	螺栓 BOLT	M			
6			螺纹球阀 THREAD BALL VALVE	PN	DN	1	
5			三通 TEE			1	
4			垫片 GASKET	φ	6	2	
3		GB6170-86	螺母 NUT	M			
2		GB5782-86	螺栓 BOLT	M			
1			法兰 FLANGE	PN	DN	2	

序号 NO.	代号 CODE	型号与标准号 DWG&STD NO.	名称及规格 NAME & SIZE	材料 MATERIAL	数量 Q'TY	备注 REMARKS
-----------	------------	-----------------------	----------------------	----------------	------------	---------------

安装材料表

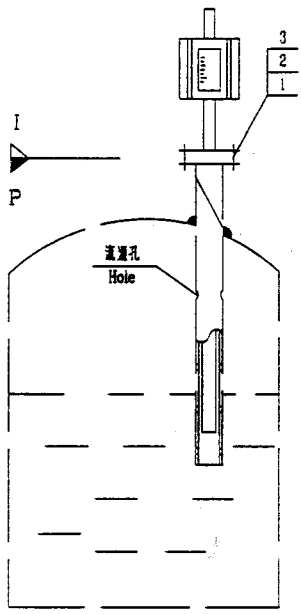
INSTALLATION MATERIAL LIST

中华人民共和国行业标准 标准设计		外浮筒液位计在设备上安装图(顶-侧式) INSTL. DWG. OF DISPLACEMENT LEVELMETER ON VESSEL (TOP-SIDE)			HG/T21581-95 HK04-409		
压力等级: RATING:		管件连接型式: CONN. TYPE:			序号 NO.	位号 TAG NO.	管道或设备号 PIPE/VESSEL NO.
					1		
					2		
					3		
					4		
					5		
					6		
					7		
					8		
					9		
					10		
12			无缝弯头90° SEAMLESS ELBOW			1	
11	GB8163-87 GB2270-80	无缝钢管 PIPE(SMLS)					
10	JB82-59	法兰 FLANGE	PN	DN		2	
9		垫片 GASKET	φ	5		2	
8	GB6170-86	螺母 NUT	M				
7	GB5782-86	螺栓 BOLT	M				
6		螺纹球阀 THREAD BALL VALVE	PN	DN		1	
5		短节 NIPPLE				1	
4		垫片 GASKET	φ	5		2	
3	GB6170-86	螺母 NUT	M				
2	GB5782-86	螺栓 BOLT	M				
1		法兰 FLANGE	PN	DN		2	
件号 NO.	代码 CODE	图号与标准号 DWG&STD NO.	名称及规格 NAME & SIZE		材料 MATERIAL	数量 QTY	备注 REMARKS
安装材料表				INSTALLATION MATERIAL LIST			

中华人民共和国行业标准 标准设计	内浮筒液位计在设备上安装图 (顶装式) INSTL. DWG. OF DISPLACEMENT LEVELMETER ON VESSEL (TOP MOUNTED)	HG/T21581-95 HK04-410	
		第1张 共1张	第91张 第72张 1 OF 1 SHEET 72 OF 91 TOTAL

压力等级: RATING:	管件连接型式 CONN. TYPE:	序号 NO.	位号 TAG NO.	管道或设备号 PIPE/VESSEL NO.
------------------	-----------------------	-----------	---------------	---------------------------

1		
2		
3		
4		
5		
6		
7		
8		
9		
10		



3			垫片 GASKET	φ 6			
2		GB6170-86	螺母 NUT	M			
1		GB5782-86	螺栓 BOLT	M			
序号 NO.	代码 CODE	图号与标准号 DWG&STD NO.	名称及规格 NAME & SIZE	材料 MATERIAL	数量 Q'TY	备注 REMARKS	

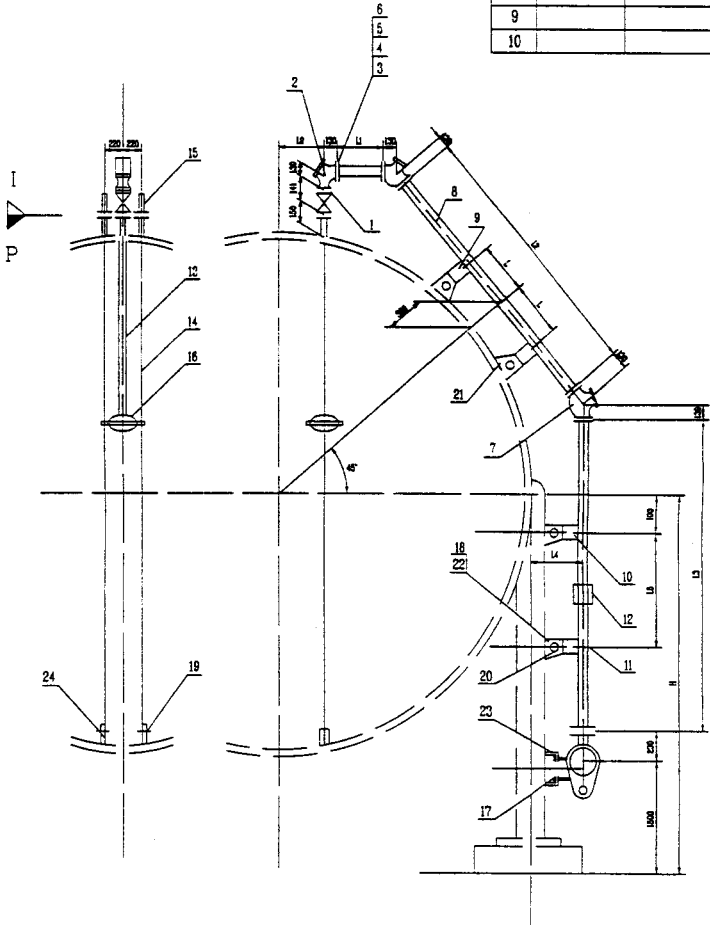
安装材料表

INSTALLATION MATERIAL LIST

压力等级:  
RATING:

管件连接型式:  
CONN. TYPE:

序号 NO.	位号 TAG NO.	管道或设备号 PIPE/VESSEL NO.
1		
2		
3		
4		
5		
6		
7		
8		
9		
10		



中华人民共和国行业标准  
标准设计

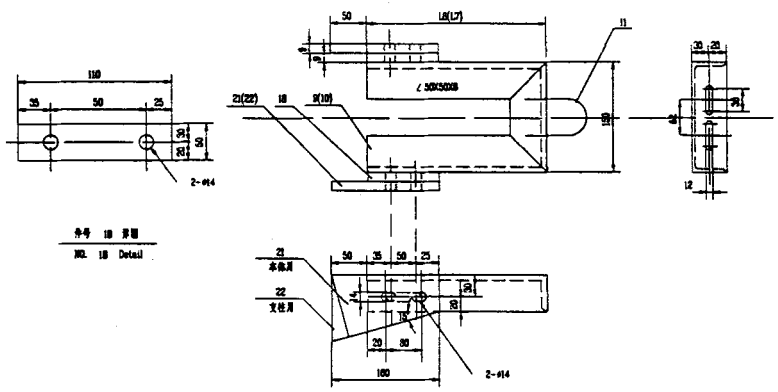
浮带液位计在球罐上安装图  
INSTL. DWG. FLOAT-TAPE LEVEL GAUGE ON SPHERICAL TANK

HG/T21581-95 HK04-411B

第 2 张 共 3 张 总 91 张 第 74 张  
2 OF 3 SHEET / 74 OF 91 TOTAL

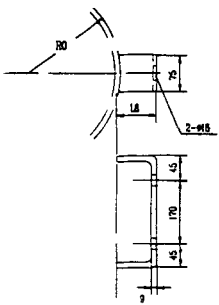
压力等级: RATING:	零件连接型式: CONN. TYPE:	序号 NO.	位号 TAG NO.	管道或设备号 PIPE/VESSEL NO.
------------------	------------------------	-----------	---------------	---------------------------

1		
2		
3		
4		
5		
6		
7		
8		
9		
10		

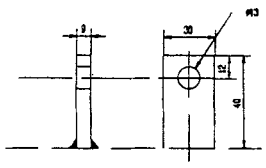


序号 18 详图  
NO. 18 Detail

序号 21, 22 详图  
NO. 21, 22 Detail



序号 23 详图  
NO. 23 Detail



序号 24 详图  
No. 24 Detail

中华人民共和国行业标准 标准设计		测带液位计在球罐上安装图 INSTL. DWG. FLOAT-TAPE LEVEL GAUGE ON SPHERICAL TANK			HG/T21581-95 HK04-411C	
压力等级: RATING:		管件连接型式: CONN. TYPE:		序号 NO.	位号 TAG NO.	第3张 共3张 总91张 第75张 3 OF 3 SHEET 75 OF 91 TOTAL
		6		1		
		7		2		
		8		3		
		9		4		
		10		5		

24			底部定座 BOTTOM ANCHOR				由设备专业设计 DESIGN BY EQUIPMENT
23			表支架 GAUGE SUPPORTER				由设备专业设计 DESIGN BY EQUIPMENT
22			连接板 MOUNTING PART				由设备专业设计 DESIGN BY EQUIPMENT
21			连接板 MOUNTING PART				由设备专业设计 DESIGN BY EQUIPMENT
20			螺栓带螺母 BOLT & NUT	M		S.S	16
19			螺栓带螺母 BOLT & NUT	M		S.S	4
18			垫片 GASKET	M	5	石棉板	24
17			螺栓 BOLT	φ		S.S	2
16			浮子 FLOAT				1
15			导向帽 GUIDE KNOB				2
14			导向线 GUIDE WIRE	φ		S.S	2
13			测带 TAPE			S.S	1
12			承插焊管节 S.W. COUPLING	φ		C.S	1
11			U-螺栓带螺母 U-BOLT & NUT			C.S	
10			支架 SUPPORT	L50X50X6		C.S	2
9			支架 SUPPORT	L50X50X6		C.S	2
8			管子 PIPE	φ			3
7			135°导向弯头 GUIDE ELBOW				2
6			垫片 GASKET	φ	5	石棉板	8
5			螺母 NUT	M		C.S	56
4			螺栓 BOLT	M		C.S	28
3			法兰 FLANGE			C.S	6
2			90°导向弯头 GUIDE ELBOW				1
1			特殊阀 SPEC. VALVE				1
件号 NO.	代码 CODE	图号与标准号 DWG&STD NO.	名称及规格 NAME & SIZE		材料 MATERIAL	数量 Q'TY	备注 REMARKS

安 装 材 料 表

INSTALLATION MATERIAL LIST



中华人民共和国行业标准  
标准设计

浮筒液位计在浮顶罐上安装图  
INSTL. DWG. FLOAT-TAPE LEVER GAUGE ON FLOATING  
ROOF TANK

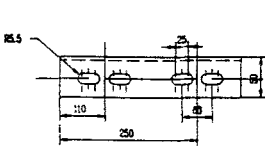
HG/T21581-95 HK04-412A

第 1 张 共 2 张 总 91 张 第 76 张  
1 OF 2 SHEET / 76 OF 91 TOTAL

压力等级:  
RATING:

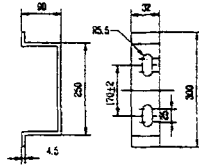
管伴连接型式:  
CONN. TYPE:

序号 NO.	位号 TAG NO.	管道或设备号 PIPE/VESSEL NO.
1		
2		
3		
4		
5		
6		
7		
8		
9		
10		



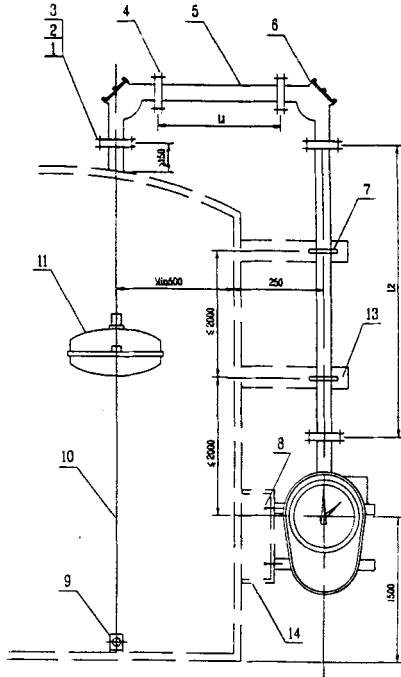
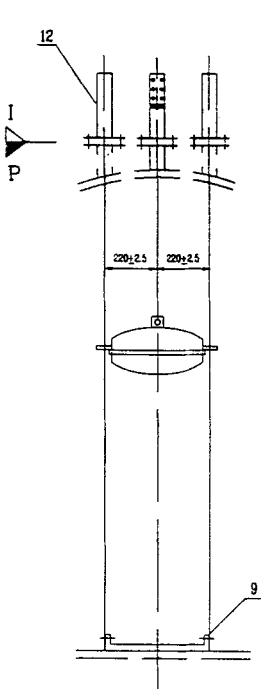
序号 13 详图

No. 13 Detail



序号 14 详图

No. 14 Detail



中华人民共和国行业标准 标准设计	钢带液位计在浮顶罐上安装图		HG/T21581-95 HK04-412B	
	INSTL. DWG. FLOAT-TAPE LEVER GAUGE ON FLOATING ROOF TANK		第2张 共2张   总91张 第77张 2 OF 2 SHEET   77 OF 91 TOTAL	

压力等级: RATING:	管件连接型式: CONN. TYPE:	序号 NO.	位号 TAG NO.	管道或设备号 PIPE/VESSEL NO.
		1		
		2		
		3		
		4		
		5		
		6		
		7		
		8		
		9		
		10		

14			表支架 GAUGE SUPPORTER			由设备专业设计 DESIGN BY EQUIPMENT	
13			连接板 MOUNTING PART			由设备专业设计 DESIGN BY EQUIPMENT	
12			导向轴 GUIDE KNOB	S.S	2	随仪表供货 S.W. INSTRUMENT	
11			浮子 FLOAT	S.S	1	随仪表供货 S.W. INSTRUMENT	
10			导向线 GUIDE WIRE	S.S	2	随仪表供货 S.W. INSTRUMENT	
9			支架配螺拴螺母垫圈 BOTTOM ANCHOR W. BOLT E.G		1	随仪表供货 S.W. INSTRUMENT	
8			螺钉 SCREW		2		
7			U-螺拴配螺母垫圈 U-BOLT & NUT GASKET	C.S		随仪表供货 S.W. INSTRUMENT	
6			90°导向弯头 GUIDE ELBOW		2	随仪表供货 S.W. INSTRUMENT	
5			管子 PIPE	Ø	L1 L2	2	
4			法兰 FLANGE		C.S	4	
3			垫片 GASKET	Ø	5	耐油橡胶石棉板	7
2		GB6170-86	螺母 NUT	M	C.S		
1		GB5782-86	螺栓 BOLT	M	C.S		
序号 NO.	代号 CODE	图号与标准号 DWG&STD NO.	名称及规格 NAME & SIZE		材料 MATERIAL	数量 Q'TY	备注 REMARKS

安 装 材 料 表

INSTALLATION MATERIAL LIST

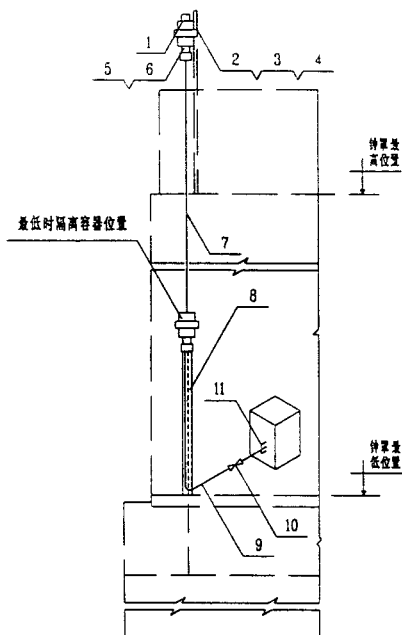
压力等级:  
RATING:

管件连接型式:  
CONN. TYPE:

序号  
NO.

位号  
TAG NO.

管道或设备号  
PIPE/VESSEL NO.



备注

1. 橡皮管(件号7)的长度按气柜钟罩的最高、最低位置之间的距离确定。
2. 该图一般适用容积1000m<sup>3</sup>以下的气柜测量。

NOTE:

1. THE LENGTH OF RUBBER TUBE (NO. 7) WILL DETERMINED ACCORDING TO THE DISTANCE BETWEEN HIGHEST AND LOWEST POSITION OF THE GAS HOLDER.
2. THIS DRAWING BE USED FOR HEIGH MEASUREMENT OF GAS HOLDER LESS 1000m<sup>3</sup>.

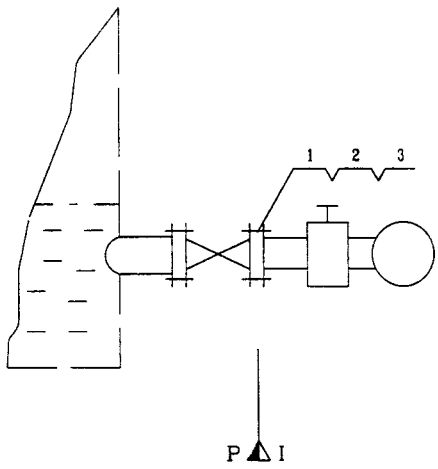
11			终端接头 CONNECTOR	φ14 / 1/2" NPT	C.S	1	
10			阀门 VALVE	PN DN10 φ14	C.S	1	
9			无缝钢管 TUBE (SMLS)	φ14X2	C.S	1	
8	GB8163-87		支柱 COLUMN	∠40X40X4 L=600	C.S	1	
7			橡皮管 RUBBER TUBE	φ9X1.5		1	
6			橡皮管接头 RUBBER TUBE NOZZLE	φ8	C.S	2	
5			终端接头 CONNECTOR	M18X1.5/φ14	C.S	1	
4	GB6170-86		螺母 NUT	M12	C.S	1	
3	GB5782-86		螺栓 BOLT	M12X25	C.S	1	
2			夹箍 CLIP	40X3 L=300	C.S	1	
1			隔离容器 SEAL CHAMBER	PN6.3 DN100	C.S	1	
件号 NO.	代 码 CODE	图号与标准号 DWG&STD NO.	名 称 及 规 格 NAME & SIZE		材 料 MATERIAL	数 量 Q'TY	备 注 REMARKS

安 装 材 料 表

INSTALLATION MATERIAL LIST

压力等级: RATING:	管件连接型式: CONN. TYPE:	序号 NO.	位 号 TAG NO.	管道或设备号 PIPE/VESSEL NO.
------------------	------------------------	-----------	----------------	---------------------------

1		
2		
3		
4		
5		
6		
7		
8		
9		
10		



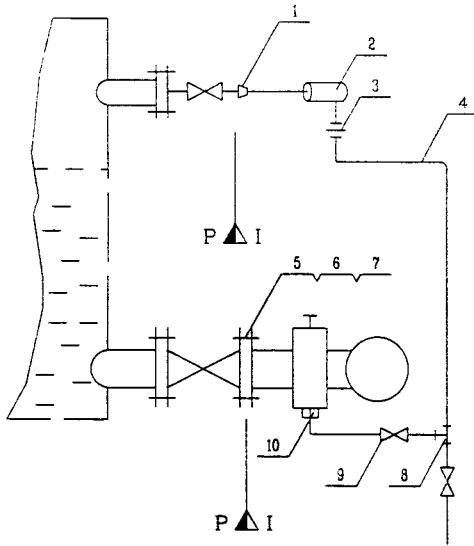
3			垫片 GASKET	$\phi$	$\delta$	石棉橡胶	1	
2		GB6170-86	螺母 NUT	M		25		
1		GB901-88	等长双头螺栓 EQUAL STUD BOLT	M		35		
件号 NO.	代 码 CODE	图号与标准号 DWG&STD NO.	名 称 及 规 格 NAME & SIZE		材 料 MATERIAL	数 量 QTY	备 注 REMARKS	

安 装 材 料 表

INSTALLATION MATERIAL LIST

中华人民共和国行业标准 标准设计	差压液面变送器在高压或负压设备上安装图(带冷凝容器)	HG/T21581-95 HK04-415
	INSTL. DWG. OF D/P LEVEL TRANSMITTER ON PRESURIZED/ VACUUM VESSEL (WITH CONDENSATE POT)	第 1 张 共 1 张 总 91 张 第 80 张 1 OF 1 SHEET 80 OF 91 TOTAL

压力等级: RATING.	管件连接型式: CONN. TYPE:	序号 NO.	位号 TAG NO.	管道或设备号 PIPE/VESSEL NO.
		1		
		2		
		3		
		4		
		5		
		6		
		7		
		8		
		9		
		10		



备注

该方案适用于气相凝液多或采用隔离时的情况。

NOTE:

THIS CASE SUITABLE TO MORE CONDENSATE LIQUID IN GAS SIDE, OR USING SEALING.

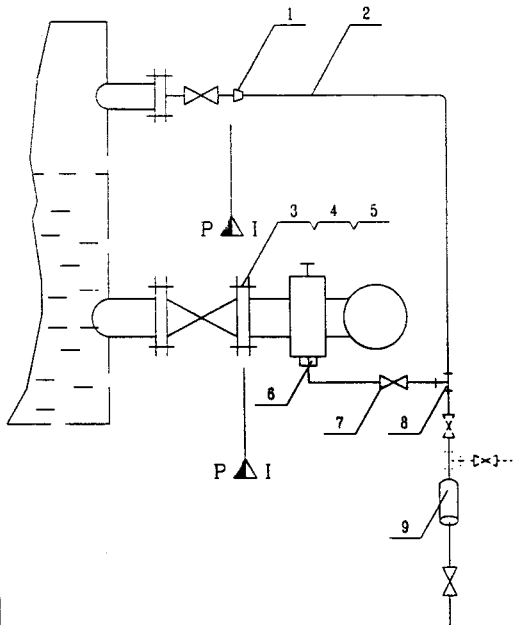
10			直通终端接头 CONNECTOR	PN $\phi 14 / 1/2"$ NPT		1	
9			外螺纹截止阀(带外套螺母) MALE THREADED GLOBE VALVE (WITH BELL NUT)	PN DN10		2	
8			三通中间接头 TEE	PN $\phi 14$		1	
7			垫片 GASKET	$\phi 5$		1	
6		GB6170-86	螺母 NUT	M		25	
5		GB901-88	等长双头螺栓 EQUAL STUD BOLT	M		35	
4		GB8163-87	无缝钢管 TUBE (SMLS)	$\phi 14 \times 2$			
3			直通中间接头 UNION	PN $\phi$		25	1
2			冷凝容器 CONDENSING POT	PN DN100 $\phi 14$		35	1
1			异径活接头 REDUCING UNION	PN $\phi$			1
件号 NO.	代码 CODE	图号与标准号 DWG&STD NO.	名称及规格 NAME & SIZE		材料 MATERIAL	数量 Q'TY	备注 REMARKS

安装材料表

INSTALLATION MATERIAL LIST

压力等级: RATING:	管件连接型式 CONN. TYPE:	序号 NO.	位号 TAG NO.	管道或设备号 PIPE/VESSEL NO.
------------------	-----------------------	-----------	---------------	---------------------------

1		
2		
3		
4		
5		
6		
7		
8		
9		
10		



备注

1. 该方案适用于气相液相不多而又能及时排除的情况。
2. 当测量负压时,需增加以虚线表示的阀门,三通中间接头,材料表中未计入。

NOTE:

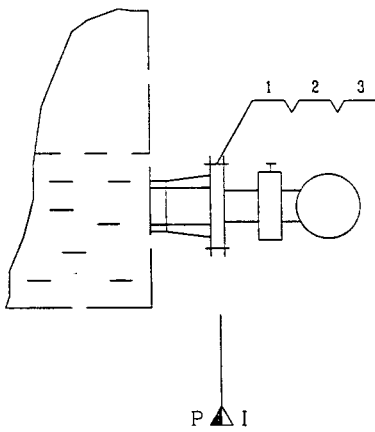
1. THIS CASE IS SUITABLE TO LESS CONDENSATE LIQUID IN GAS SIDE, AND DRAIN SO ON.
2. MEASURING VACUUM, THE VALVE AND TEE INDICATED BY DOTTED LINE IS REQUIRED, AND NOT BE SHOWN IN MATERIAL LIST.

9			分离器 SEPARATOR	PN DN100 $\phi$ 14		1	
-8			三通中间接头 TEE	PN $\phi$ 14		1	
7			外螺纹截止阀(带外套螺母) MALE THREADED GLOBE VALVE(WITH BELL NUT)	PN DN10		2	
6			直通终端接头 CONNECTOR	PN $\phi$ 14/ 1/2" NPT		1	
5			垫片 GASKET	$\phi$ 5		1	
4	GB6170-86		螺母 NUT	M		25	
3	GB901-88		等长双头螺栓 EQUAL STUD BOLT	M		35	
2	GB8163-87		无缝钢管 TUBE(SMLS)	$\phi$ 14X2			
1			异径管接头 REDUCING UNION	PN $\phi$		1	
件号 NO.	代码 CODE	图号与标准号 DWG&STD NO.	名称及规格 NAME & SIZE		材料 MATERIAL	数量 QTY	备注 REMARKS

安装材料表

INSTALLATION MATERIAL LIST

中华人民共和国行业标准 标准设计	差压液面变送器在常压设备上安装图(不带切断阀) INSTL. DWG. OF D/P LEVEL TRANSMITTER ON ATMOSPHERIC VESSEL (WITHOUT BLOCK VALVE)	HG/T21581-95 HK04-417		
		第 1 页 共 1 页 总 91 页 第 82 页 1 OF 1 SHEET 82 OF 91 TOTAL		
压力等级: RATING:	管件连接型式: CONN. TYPE:	序号 NO.	位号 TAG NO.	管道或设备号 PIPE/VESSEL NO.
		1		
		2		
		3		
		4		
		5		
		6		
		7		
		8		
		9		
		10		



备注

本图也适用于单法兰。

NOTE:

THE DRAWING IS ALSO SUITABLE TO THE CASE FOR FLANGE MOUNTED TYPE.

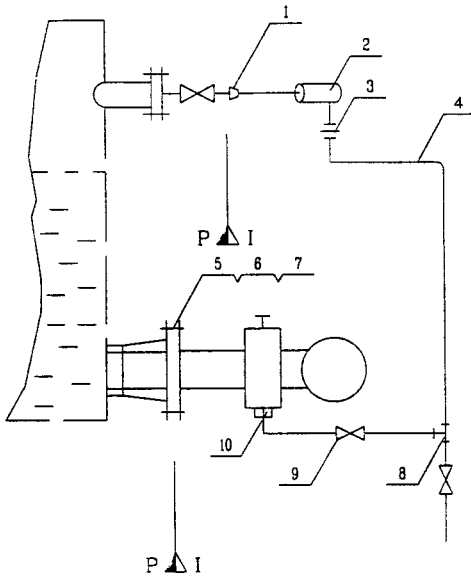
3			垫片 GASKET	φ 9	石棉橡胶	1	
2		GB6170-86	螺母 NUT	M	25		
1		GB901-88	等长双头螺柱 EQUAL STUD BOLT	M	35		
件号 NO.	代 码 CODE	图号与标准号 DWG&STD NO.	名 称 及 规 格 NAME & SIZE		材 料 MATERIAL	数 量 Q'TY	备 注 REMARKS

安 装 材 料 表

INSTALLATION MATERIAL LIST

压力等级: RATING:	管件连接型式: CONN. TYPE:	序号 NO.	位号 TAG NO.	管道或设备号 PIPE/VESSEL NO.
------------------	------------------------	-----------	---------------	---------------------------

1				
2				
3				
4				
5				
6				
7				
8				
9				
10				



备注

此方案适用于气相凝液多或采用隔离时的情况。

NOTE:  
THIS CASE SUITABLE TO MORE CONDENSATE LIQUID IN GAS SIDE, OR USING SEALING.

10			直通终端接头 CONNECTOR PN $\phi 14/1/2"$ NPT	1		
9			外螺纹截止阀(带外套螺母) PN DN10 MALE THREADED GLOBE VALVE(WITH BELL NUT)	2		
8			三通中间接头 TEE PN $\phi 14$	1		
7			垫片 GASKET $\phi$ 6	1		
6	GB6170-86		螺母 NUT M	25		
5	GB901-88		等长双头螺栓 EQUAL STUD BOLT M	35		
4	GB8163-87		无缝钢管 TUBE(SMLS) $\phi 14 \times 2$			
3			直通中间接头 UNION PN $\phi$	25	1	
2			冷凝容器 CONDENSING POT PN DN100 $\phi 14$	35	1	
1			异径活接头 REDUCING UNION PN $\phi$		1	
件号 NO.	代号 CODE	图号与标准号 DWG&STD NO.	名称及规格 NAME & SIZE	材料 MATERIAL	数量 Q'TY	备注 REMARKS

安装材料表

INSTALLATION MATERIAL LIST



中华人民共和国行业标准  
标准设计

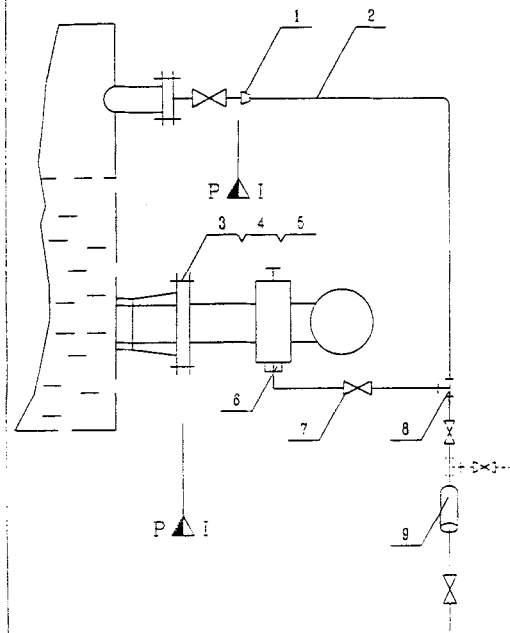
差压变送器安装于气相或液相设备上安装图  
INSTL. DWG. OF D/P LEVEL TRANSMITTER ON  
PRESSURIZED/VACUUM VESSEL

HG/T21581-95 HK04-419

第 1 张 共 1 张 总 91 张 第 84 张  
1 OF 1 SHEET 84 OF 91 TOTAL

压力等级: RATING:	管径连接型式: CONN. TYPE:	序号 NO.	位号 TAG NO.	管道或设备号 PIPE/VESSEL NO.
------------------	------------------------	-----------	---------------	---------------------------

1		
2		
3		
4		
5		
6		
7		
8		
9		
10		



备注

1. 该方案适用于气相凝液不多而又能及时排除的情况。
2. 当测量负压时,需增加以虚线表示的阀门,三通中间接头,材料表中未计入。

NOTE:

1. THIS CASE IS SUITABLE TO LESS CONDENSATE LIQUID IN GAS SIDE, AND DRAIN SO ON.
2. MEASURING VACUUM, THE VALVE AND TEE INDICATED BY DOTTED LINE IS REQUIRED, AND NOT BE SHOWN IN MATERIAL LIST.

9		分离器 SEPARATOR	PN DN100 $\phi$ 14			
8		三通中间接头 TEE	PN $\phi$ 14			
7		外螺纹截止阀(带外带螺母) MALE THREADED GLOBE VALVE(WITH BELL NUT)	PN DN10		2	
6		互通终端接头 CONNECTOR	PN $\phi$ 14 1/2" NPT		1	
5		垫片 GASKET	$\phi$ 6		1	
4	GB6170-86	螺母 NUT	M		25	
3	GB901-88	等长双头螺栓 EQUAL STUD BOLT	M		35	
2	GB8165-87	无缝管 TUBE(SMLS)	$\phi$ 14X2			
1		异径管接头 REDUCING UNION	PN $\phi$			
件号 NO.	代码 CODE	图号与标准号 DWG&STD NO.	名称及规格 NAME & SIZE	材料 MATERIAL	数量 QTY	备注 REMARKS

安装材料表

INSTALLATION MATERIAL LIST

中华人民共和国行业标准  
标准设计

远传膜片密封差压变送器在设备上的安装图 (带冲洗阀法兰式)

INSTL. DWG. OF REMOTE DIAPHRAGM SEAL D/P  
TRANSMITTER ON VESSEL WITH BLOCK VALVE FLANGE

HG/T21581-95 HK04-420

第 1 张 共 1 张 总 91 张 第 85 张  
1 OF 1 SHEET / 85 OF 91 TOTAL

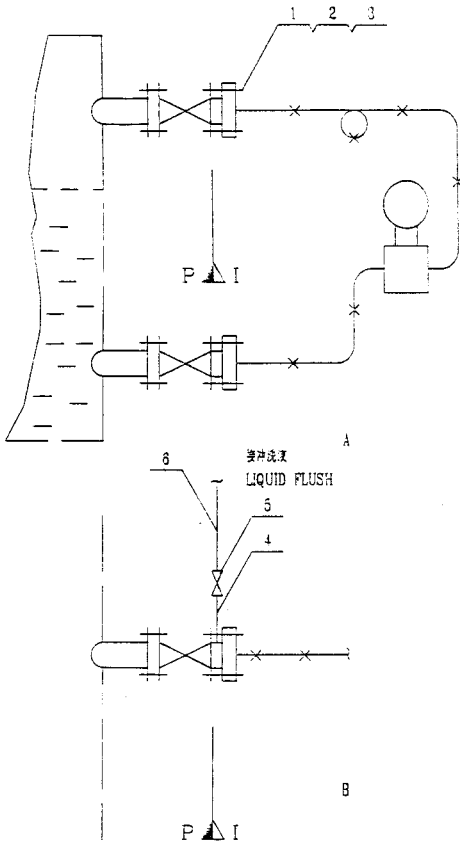
压力等级:  
RATING:

管件连接型式:  
CONN. TYPE:

序号  
NO.

位号  
TAG NO.

管道或设备号  
PIPE/VESSEL NO.



备注

B方案的差压变送器有冲洗孔。

NOTE:

FOR B TRANSMITTER WITH  
PURGE HOLE

6		GB8163-87	无缝钢管 TUBE (SMLS)	φ14×2			3方案用 FOR B
5			外螺纹截止阀(带外丝螺母) PN MALE THREADED GLOBE VALVE (WITH BELL NUT)	DN10		2	3方案用 FOR B
4			半头活节 HALF UNION			2	B方案用 FOR B
3		GB6170-86	螺母 NUT	M	35		
2		GB5782-86	螺栓 BOLT	M	35		
1			垫片 GASKET	φ 6		2	
序号 NO.	代号 CODE	图号与标准号 DWG&STD NO.	名称及规格 NAME & SIZE		材料 MATERIAL	数量 QTY	备注 REMARKS

安装材料表

INSTALLATION MATERIAL LIST

中华人民共和国行业标准  
标准设计

远传膜片密封差压变送器在设备上安装图(带切断阀,扁平式)

INSTL. DWG. OF REMOTE DIAPHRAGM SEAL D/P  
TRANSMITTER ON VESSEL (WITH BLOCK VALVE, FLAT)

HG/T21581-95 HK04-421

第 1 张 共 1 张 总 91 张 第 86 张  
1 OF 1 SHEET 86 OF 91 TOTAL

压力等级:  
RATING:

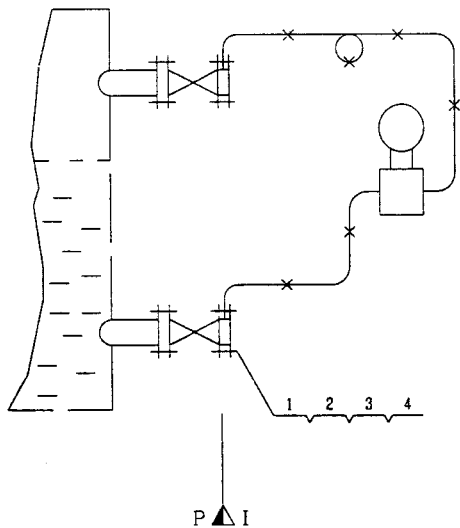
管件连接型式:  
CONN. TYPE:

序号  
NO.

位号  
TAG NO.

管道或设备号  
PIPE/VESSEL NO.

1		
2		
3		
4		
5		
6		
7		
8		
9		
10		



4			法兰盖 BLIND FLANGE	PN DN		2	
3		GB6170-86	螺母 NUT	M	25		
2		GB5782-86	螺栓 BOLT	M	35		
1			垫片 GASKET	$\phi$ $\delta$		2	
件号 NO.	代码 CODE	图号与标准号 DWG.&STD NO.	名称及规格 NAME & SIZE		材料 MATERIAL	数量 Q'TY	备注 REMARKS

安装材料表

INSTALLATION MATERIAL LIST

中华人民共和国行业标准  
标准设计

远传膜片密封差压变送器在设备上安装图(带切断阀、螺纹式)  
INSTL. DWG. OF REMOTE DIAPHRAGM SEAL D/P  
TRANSMITTER ON VESSEL(WITH BLOCK VALVE, THD)

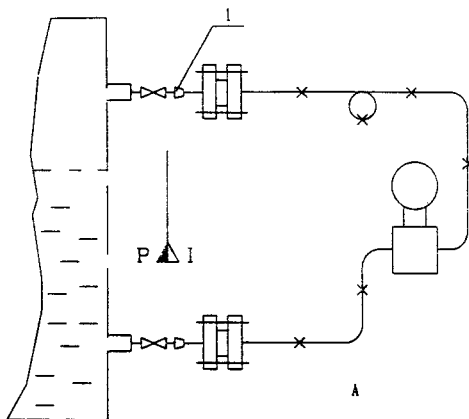
HG/T21581-95 HK04-422

第 1 张 共 1 张 总 91 张 第 87 张  
1 OF 1 SHEET 87 OF 91 TOTAL

压力等级:  
RATING:

零件连接型式:  
CONN. TYPE:

序号 NO.	位号 TAG NO.	管道或设备号 PIPE/VESSEL NO.
1		
2		
3		
4		
5		
6		
7		
8		
9		
10		

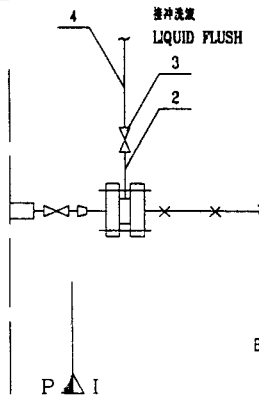


备注

B方案的差压变送器有冲洗孔。

NOTE:

FOR B TRANSMITTER WITH  
PURGE HOLE



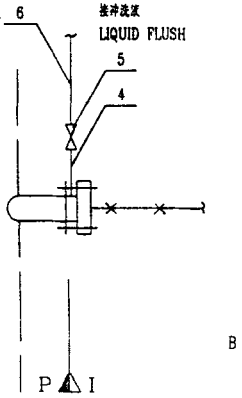
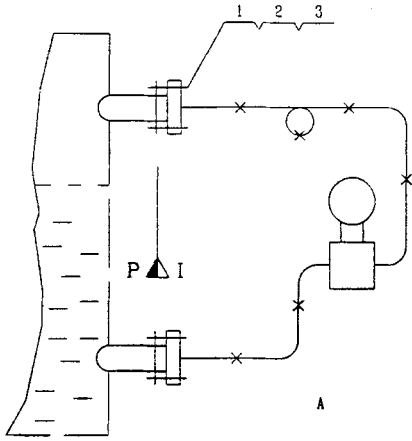
4		GB8163-87	无缝钢管 TUBE(SMLS)	φ14X2			B方案用 FOR B
3			外螺纹截止阀(带外螺螺母) PN	DN10 φ14		2	B方案用 FOR B
2			半头短节 HALF UNION	PN 1/4" NPT /φ14		2	B方案用 FOR B
1			直通异径接头 CONNECTOR	PN φ22/1/2" NPT		2	
序号 NO.	代码 CODE	图号与标准号 DWG&STD NO.	名称及规格 NAME & SIZE		材料 MATERIAL	数量 QTY	备注 REMARKS

安装材料表

INSTALLATION MATERIAL LIST

压力等级: RATING:	管件连接型式: CONN. TYPE:	序号 NO.	位 号 TAG NO.	管道或设备号 PIPE/VESSEL NO.
------------------	------------------------	-----------	----------------	---------------------------

1			
2			
3			
4			
5			
6			
7			
8			
9			
10			



备注

B方案的差压变送器有冲洗孔。

NOTE:

FOR B TRANSMITTER WITH  
PURGE HOLE.

6	GB8163-87	无缝钢管 TUBE(SMLS)	φ14X2			B方案用 FOR B
5		外螺纹截止阀(带外装螺母) PN	DN10		2	B方案用 FOR B
4		单头短节 HALF UNION			2	B方案用 FOR B
3	GB6170-86	螺母 NUT	M	25		
2	GB5782-86	螺栓 BOLT	M	35		
1		垫片 GASKET	φ 6		2	
件号 NO.	代 码 CODE	图号与标准号 DWG&STD NO.	名 称 及 规 格 NAME & SIZE	材 料 MATERIAL	数 量 QTY	备 注 REMARKS

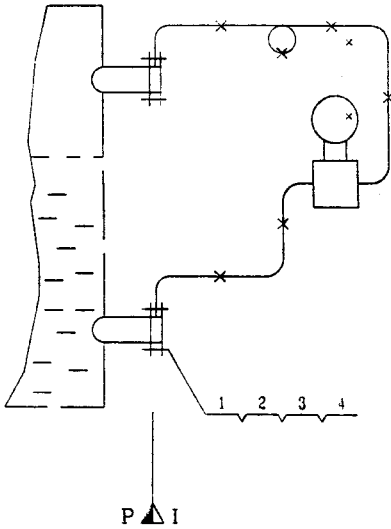
安 装 材 料 表

INSTALLATION MATERIAL LIST

中华人民共和国行业标准 标准设计	远传膜片密封差压变送器在设备上安装图(不带切断阀扁平式)	HG/T21581-95 HK04-424	
	INSTL. DWG. OF REMOTE DIAPHRAGM SEAL D/P TRANSMITTER ON VESSEL (WITHOUT BLOCK VALVE FLAT)	第 1 张 共 1 张 1 OF 1 SHEET	总 91 张 第 89 张 89 OF 91 TOTAL

压力等级: RATING:	管件连接型式: CONN. TYPE:	序号 NO.	位号 TAG NO.	管道或设备号 PIPE/VESSEL NO.
------------------	------------------------	-----------	---------------	---------------------------

1		
2		
3		
4		
5		
6		
7		
8		
9		
10		



4			法兰盖 BLIND FLANGE	PN DN		2	
3		GB6170-86	螺母 NUT	M	25		
2		GB5782-86	螺栓 BOLT	M	35		
1			垫片 GASKET	φ 6		2	
件号 NO.	代码 CODE	图号与标准号 DWG&STD NO.	名称及规格 NAME & SIZE		材料 MATERIAL	数量 Q'TY	备注 REMARKS

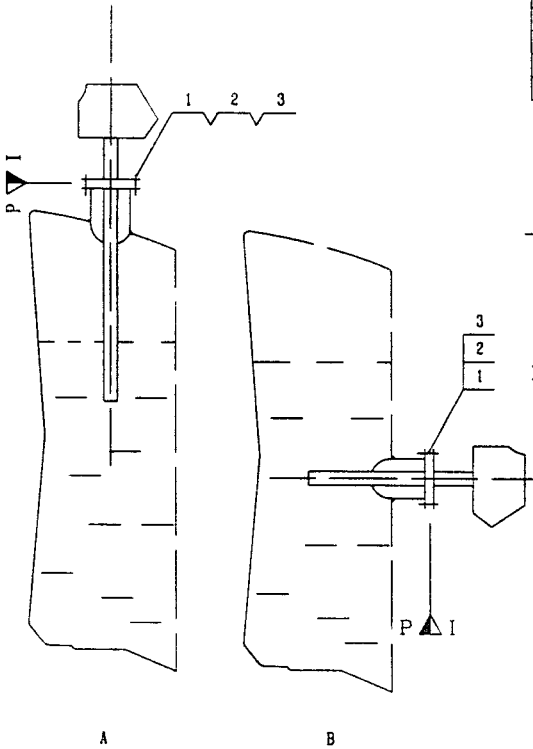
安装材料表

INSTALLATION MATERIAL LIST

中华人民共和国行业标准 标准设计	料位/液位变送器/控制器在设备上安装图(法兰式)	HG/T21581-95 HK04-425	
	INSTL. DWG. OF SOLID LEVEL / LIQUID LEVEL TRANSMITTER / CONTROLLER ON VESSEL (FLANGE)	第 1 张 共 1 张	总 91 张 第 90 张 1 OF 1 SHEET 90 OF 91 TOTAL

压力等级: RATING:	管件连接型式: CONN. TYPE:	序号 NO.	位号 TAG NO.	管道或设备号 PIPE/VESSEL NO.
------------------	------------------------	-----------	---------------	---------------------------

1		
2		
3		
4		
5		
6		
7		
8		
9		
10		



备注

该产品也可以倾斜安装。

NOTE:

THIS KIND OF PRODUCT CAN BE INSTALLED IN A SLOPE.

3			垫片 GASKET	φ 6	石棉橡胶	1	
2		GB6170-86	螺母 NUT	M	25		
1		GB5782-86	螺栓 BOLT	M	35		
件号 NO.	代码 CODE	图号与标准号 DWG&STD NO.	名称及规格 NAME & SIZE		材料 MATERIAL	数量 Q'TY	备注 REMARKS

安装材料表

INSTALLATION MATERIAL LIST

中华人民共和国行业标准 标准设计		料位/液位变送器/控制器在设备上安装图(螺纹式) INSTL DWG. OF SOLID LEVEL / LIQUID LEVEL TRANSMITTER / CONTROLLER ON VESSEL (THD)		HG/T21581-95 HK04-426		
压力等级: RATING:		管件连接型式: CONN. TYPE:		序号 NO.	位号 TAG NO.	管道或设备号 PIPE/VESSEL NO.
		1				
		2				
		3				
		4				
		5				
		6				
		7				
		8				
		9				
		10				
		备注		该产品也可水平或倾斜安装。		
		NOTE:		THIS KIND OF PRODUCT CAN BE INSTALLED HORIZONTAL OR SLOPING.		
2		垫片 GASKET	$\phi$ 6	石棉橡胶	1	
1		连接头 BCSS	M		1	A方采用 FOR A
件号 NO.	代码 CODE	图号与标准号 DWG&STD NO.	名称及规格 NAME & SIZE	材料 MATERIAL	数量 QTY	备注 REMARKS
安装材料表			INSTALLATION MATERIAL LIST			